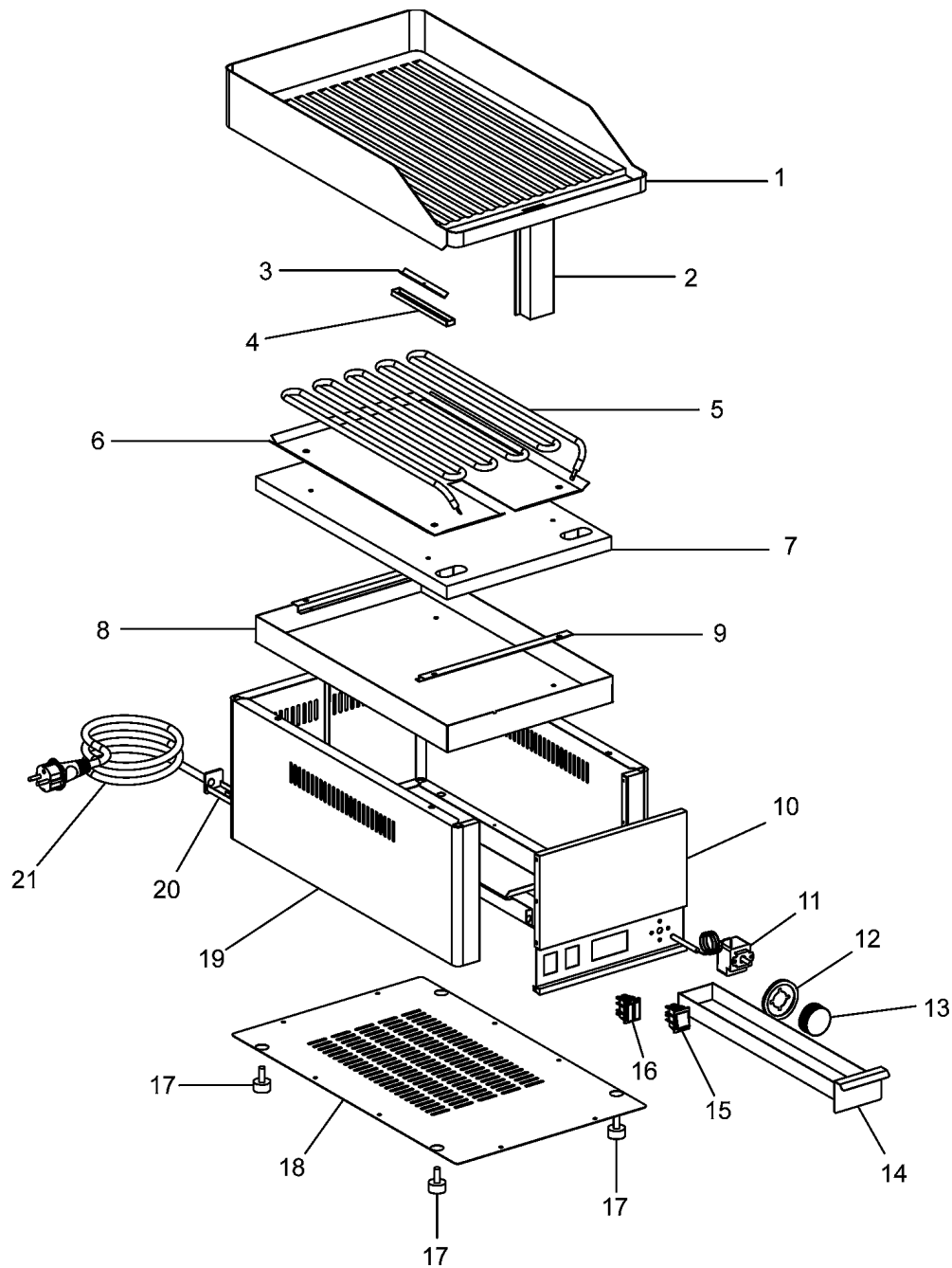


EXPLOSIONSZEICHNUNG



KBS Gastrotechnik GmbH – Schoßbergstraße 26 – 65201 Wiesbaden



POS. CODE

1	CO0353
1	CO0355
1	CO0356
1	CO0357
1	CO6490
1	CO6491
1	CO6492
1	CO6493
3	CO0880
3	CO0881
4	CO0882
5	CO0864
5	CO4902
10	CO6417
10	CO7167
11	CO4883
12	CO4904
13	SL3550
14	CO0883
15	SA1097
16	SL3323
17	CO4903
18	CO7168
18	CO7169
19	CO8387
20	CO0878
21	CO0876



SPARE PARTS TAVOLA RICAMBI

FRY1L-1R-2L-2LR

SPEC.	N.	CODE	DENOMINAZIONE - DENOMINATION
(FRY1R) grooved	1	CO0353	Surface - Piano
(FRY1L) smooth	1	CO0355	Surface - Piano
(FRY2L) smooth	1	CO0356	Surface - Piano
(FRY2LR) smooth-grooved	1	CO0357	Surface - Piano
(FRY1RC) grooved chromium-plated	1	CO6490	Surface - Piano
(FRY1L) smooth chromium-plated	1	CO6491	Surface - Piano
(FRY2LC) smooth chromium-plated	1	CO6492	Surface - Piano
(FRY2LRC) smooth-grooved chromium	1	CO6493	Surface - Piano
smooth	3	CO0880	Bracket - Staffa
grooved	3	CO0881	Bracket - Staffa
	4	CO0882	Plate - Piastra
230V/1Ph/50-60Hz	5	CO0864	Resistance - Resistenza
12/05/09 f.p.(*)	5	CO4902	Resistance - Resistenza
(FRY1L/R/LC/RC)	10	CO6417	Panel - Pannello
(FRY2L/R/LC/RC)	10	CO7167	Panel - Pannello
	* 11	CO4883	Thermostat - Termostato
	12	CO4904	Locking ring - Ghiera
	13	SL3550	Knob - Pomello
	14	CO0883	Bowl - Vaschetta
	* 15	SA1097	Switch - Interruttore
	* 16	SL3323	Lamp - Lampada
	17	CO4903	Foot - Piedino
(FRY1L/R/LC/RC)	18	CO7168	Bottom - Fondo
(FRY2L/R/LC/RC)	18	CO7169	Bottom - Fondo
(FRY1L/R/LC/RC)	19	CO8387	Housing - Carcassa
	20	CO0878	Cable clamp - Pressacavo
1Ph+N+Gnd	21	CO0876	Electric cable - Cavo elettrico

*Ricambio consigliato - Advised spare parts