

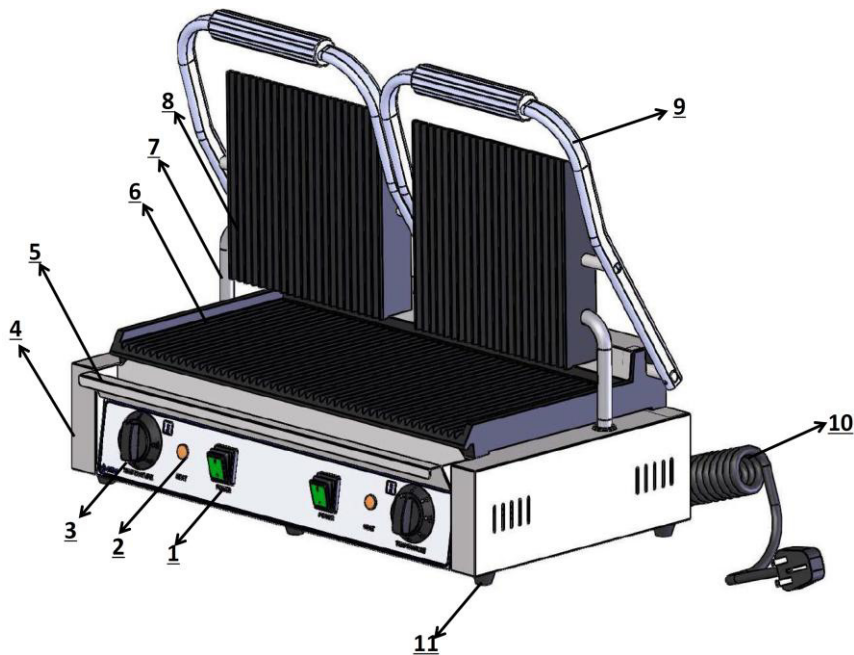
EXPLOSIONSZEICHNUNG



KBS Gastrotechnik GmbH – Schoßbergstraße 26 – 65201 Wiesbaden

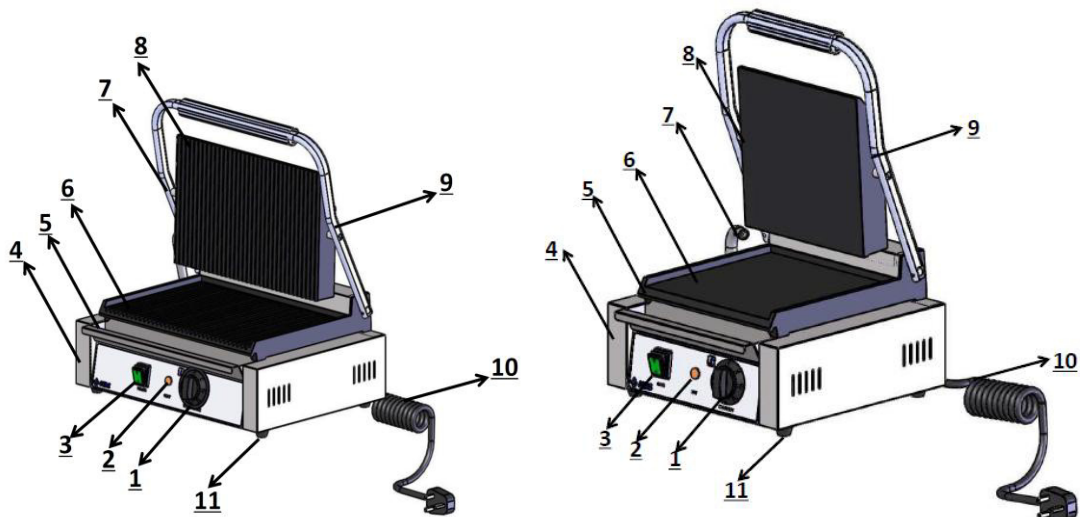
A. Exterior Structure

PG-2SA



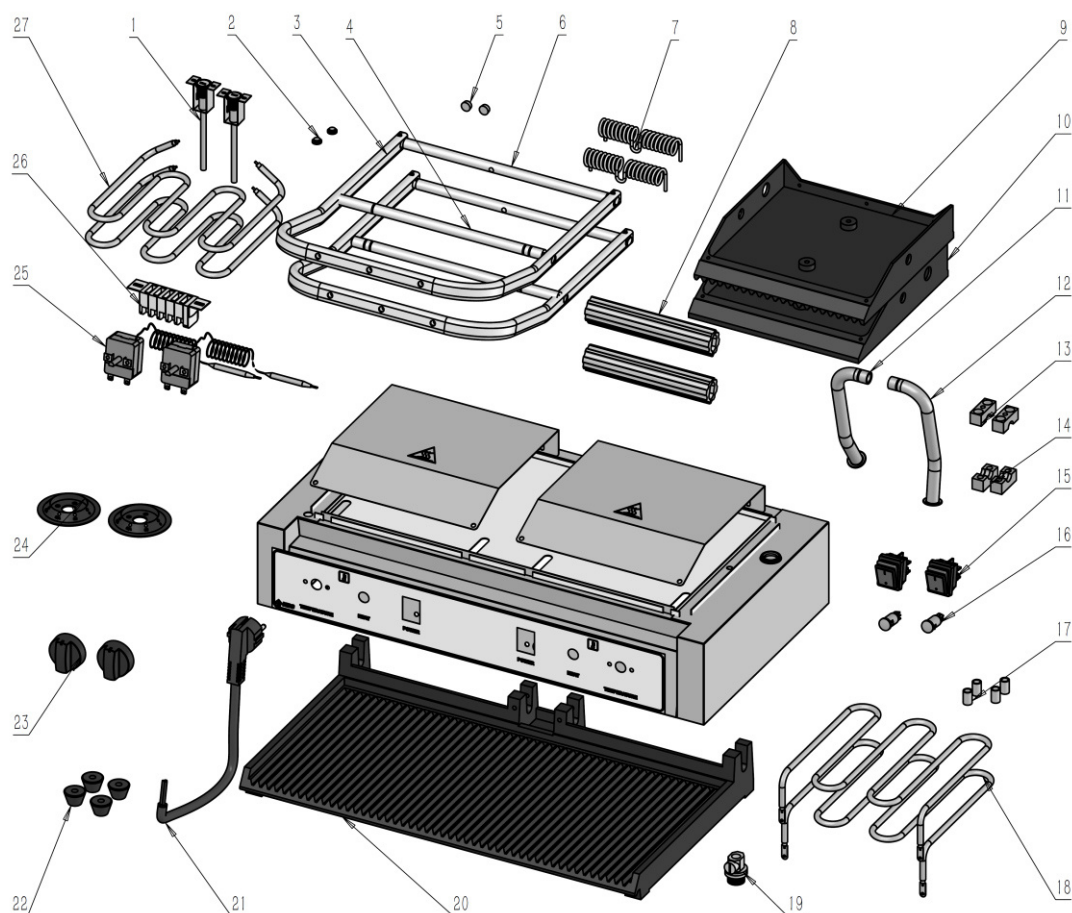
1—POWER SWITCH 2—HEATING INDICATOR 3—KNOB 4—BOTTOM BOX 5—OIL TRAY 6—LOWER PLATE 7—WIRE GUIDE TUBE 8—UPPER PLATE 9—OPERATION HANDLE 10—POWER CORD 11—RUBBER FEET

PG-SA PG-MA



1—KNOB 2—HEATING INDICATOR 3—POWER SWITCH 4—BOTTOM BOX 5—OIL TRAY 6—LOWER PLATE 7—WIRE GUIDE TUBE 8—UPPER PLATE 9—OPERATION HANDLE 10—POWER CORD 11—RUBBER FEET

K. Solid Resolution Graph



Declaration:

The structures of PG-SA/PG-SF/PG-SC/PG-MA/PG-MB/PG-MC are different, the differences are: The upper and lower module plate of PG-SA and PG-MA are ribbed; the upper and lower module plate of PG-SF and PG-MB are smooth. The upper and lower module plate of PG-SC and PG-MC are upper ribbed and lower smooth.

The structures of

PG-2SA/PG-2SF/PG-2SC/PG-2SD/PG-2MA/PG-2MB/PG-2MC/PG-2MD are different, the differences are: The upper and lower module plate of PG-2SA and PG-2MA are ribbed; the upper and lower module plate of PG-2SF and PG-2MB are smooth. The upper and lower module plate of PG-2SC and PG-2MC are upper ribbed and lower smooth. The upper and lower module plate of PG-2SD and PG-2MD is upper smooth and lower ribbed.

NO	NAME	SPECIFICATION
1	Temperature Limiter	130°C/250V,16A
2	Plug for handle frame	Brass
3	Handle frame	A3 steel 280×350×20

4	Upper axle	Cold-drawn round steel ϕ 12 \times 386 chrome plated
5	Plug for handle cover	Brass
6	Back axis	Cold-drawn steel pipe ϕ 14 \times 1.5
7	Torsion spring	65Mn steel wire ϕ 3.5
8	Handle cover	Bakelite ϕ 30 \times 262mm
9	Left top grill plate	Cast iron
10	Lower grill plate	Cast iron
11	Wire guide tube for upper element(Left)	Cold-drawn steel pipe ϕ 14 \times 1.5
12	Wire guide tube for upper element(Right)	Cold-drawn steel pipe ϕ 14 \times 1.5
13	Upper brake shoe	Brass 35 \times 15 \times 13
14	Lower brake shoe	Brass 35 \times 15 \times 13
15	Power switch	Green
16	Heating indicator	250V,14A, yellow
17	Support pipe for lower brake shoe	Brass
18	Bottom heating element	230V/50Hz SS pipe ϕ 6
19	Power sheath	ϕ 16 heat-resisting plastic
20	Lower grill plate	cast iron
21	Power cord with plug	3 \times 1.5mm ² /250V
22	PAH rubber foot	ϕ 30 \times 15 rubber black
23	Thermostat knob	ABS ϕ 40.5 (A04) ; 50-300 $^{\circ}$ C
24	Knob base	ABS
25	Thermostat	50-300 $^{\circ}$ C/250V,16A
26	Terminal	Heat resisting ceramic 500V, 15A
27	Upper heating element	230V/50Hz SS pipe ϕ 6