

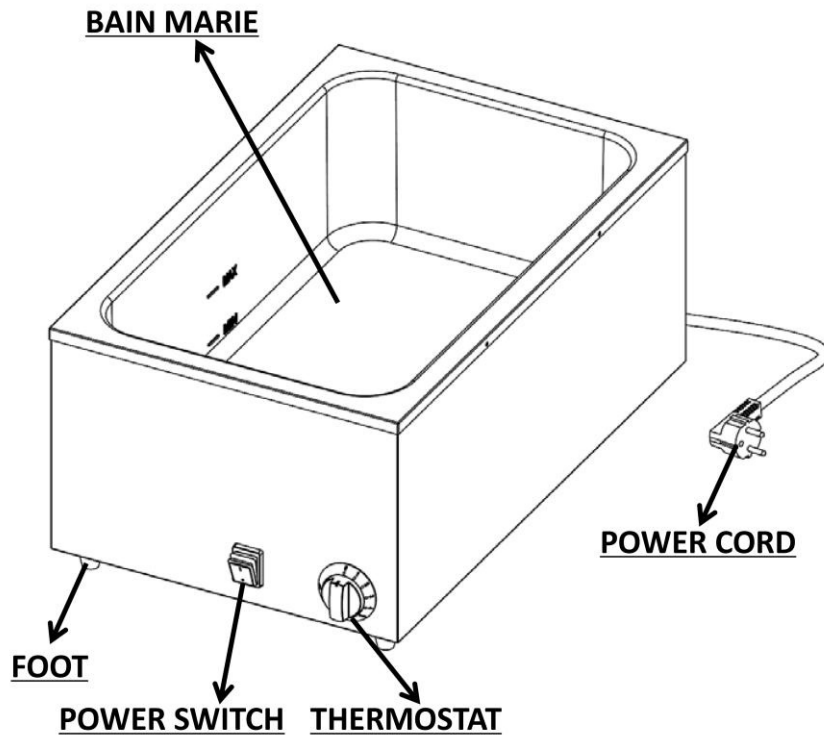
# EXPLOSIONSZEICHNUNG



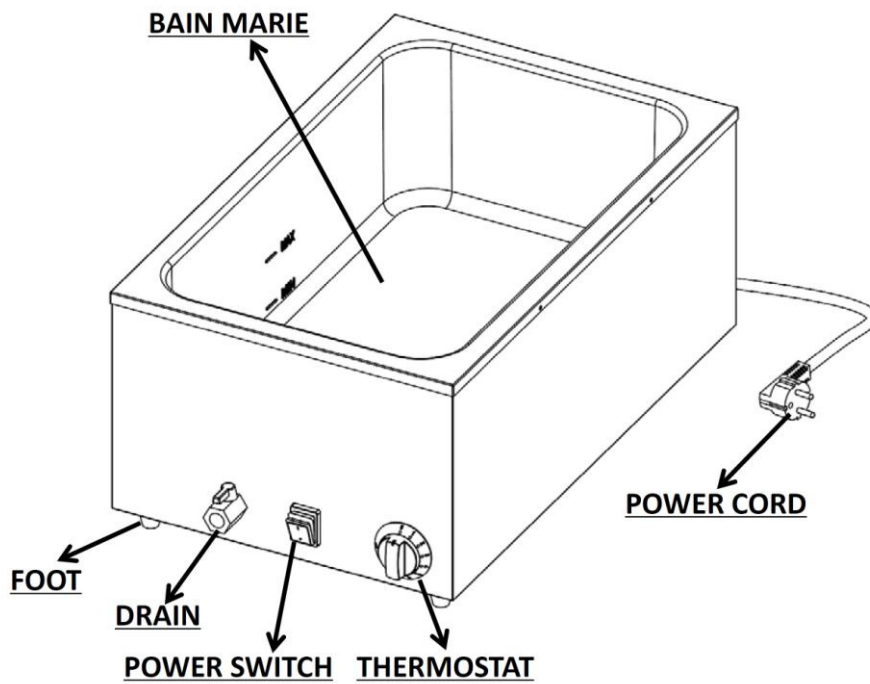
KBS Gastrotechnik GmbH – Schoßbergstraße 26 – 65201 Wiesbaden

# Structure

## BM-165

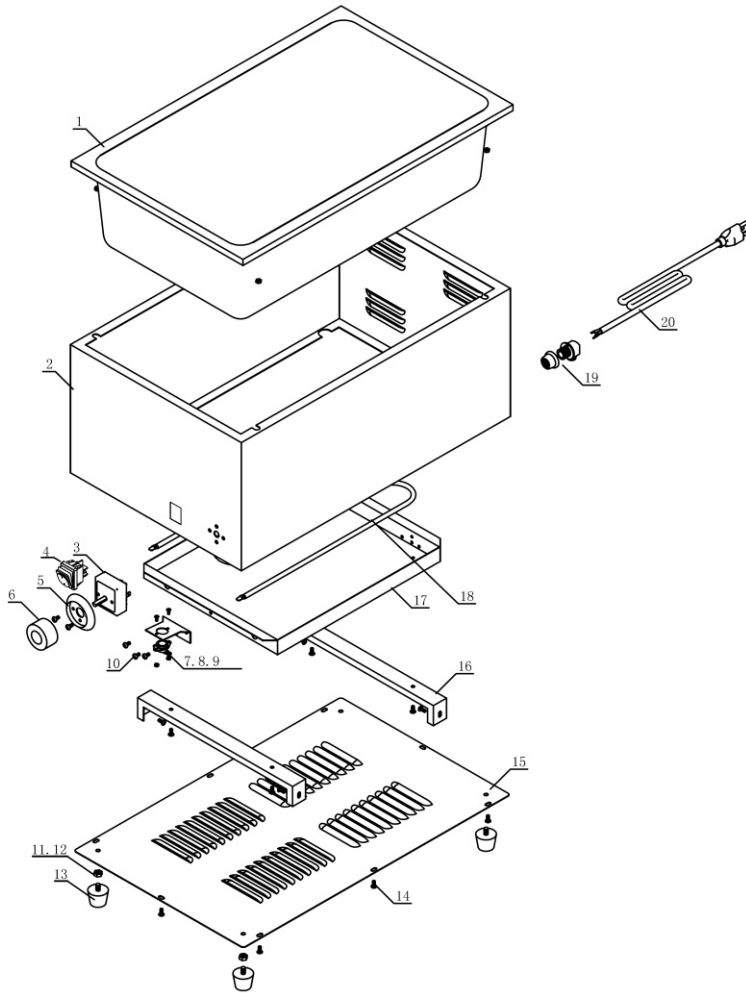


## BM-165T    BM-205T



# Maintenance diagram and accessories list BM-165

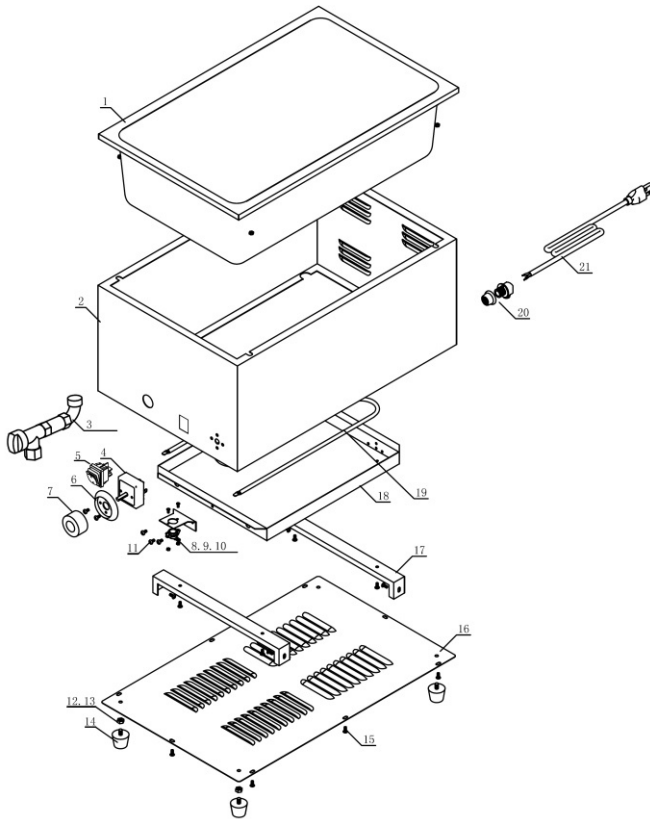
## Maintenance diagram



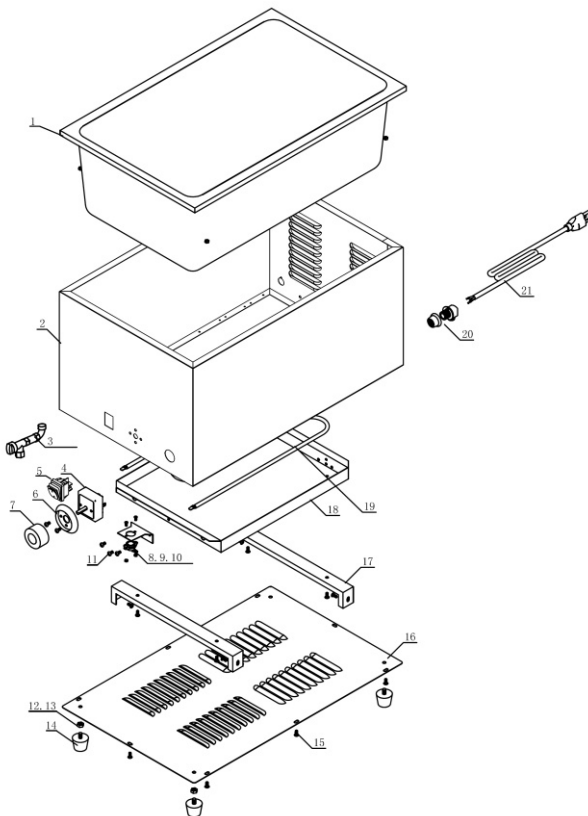
## Accessories list BM-165

Number	Name	Specification	Piece
1	Marie basin	Stainless steel T=0.8	1
2	Shell	Stainless steel T=0.8	1
3	Thermostat	EGO	1
4	Power switch		1
5	Knob dial base	ADS777	1
6	Knob	ADS777	1
7	Screw	Steel M3×10mm	2
8	Thermostat fixation plate	Stainless steel T=1.0	1
9	Temperature limiter	L175(121℃15A 120V)	1
10	Screw	Steel M4×10mm	10
11	Nut	Steel M6	4
12	Screw	Steel M6×10mm	4
13	Foot	Rubber	4
14	Bottom plate	Galvanized sheet=0.8	1
15	Heater fixation plate clamp 1	Aluminized sheet T=1.2	2
16	Heater fixation plate clamp 2	Aluminized sheet T=1.2	2
17	Heater seal plate	Aluminized sheet T=0.8	1
18	Heater	120V 1200W	1
19	Power cord jacket	ADS777	1
20	Power cord	SJTO A.W.G16 3C	1

## Maintenance diagram BM-165T



## Maintenance diagram BM-205T



**Accessories list    BM-165T    BM-205T**

<b>Number</b>	<b>Name</b>	<b>Specification</b>	<b>Piece</b>
1	Marie basin	Stainless steel T=0.8	1
2	Shell	Stainless steel T=0.8	1
3	Drain valve	SS	1
4	Thermostat	EGO	1
5	Power switch		1
6	Knob dial base	ADS777	1
7	Knob	ADS777	1
8	Screw	Steel M3×10mm	2
9	Thermostat fixation plate	Stainless steel T=1.0	1
10	Temperature limiter	L175(121℃15A 120V)	1
11	Screw	Steel M4×10mm	10
12	Nut	Steel M6	4
13	Screw	Steel M6×10mm	4
14	Foot	Rubber	4
15	Bottom plate	Galvanized sheet=0.8	1
16	Heater fixation plate clamp 1	Aluminized sheet T=1.2	2
17	Heater fixation plate clamp 2	Aluminized sheet T=1.2	2
18	Heater seal plate	Aluminized sheet T=0.8	1
19	Heater	120V 1200W	1
20	Power cord jacket	ADS777	1
21	Power cord	SJTO A.W.G16 3C	1