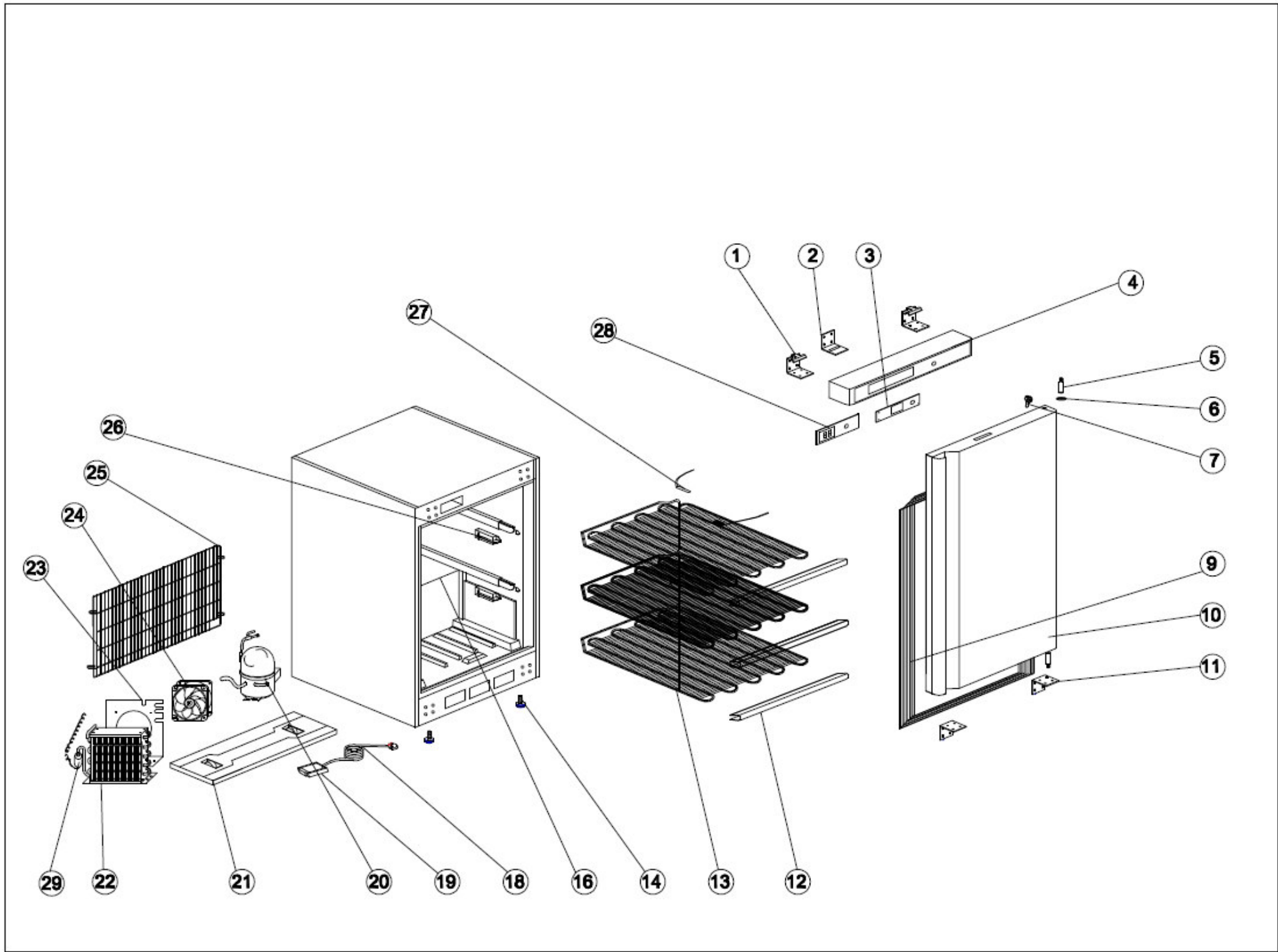


Explosionszeichnung

Tiefkühlschrank
KBS 202 TK CHR



KBS Gastrotechnik GmbH - Johannes-Kepler-Str. 14 - 55129 Mainz



SPARE PARTS LIST OF G-HF200

NO	CODE	NAME	NEW	QTY	MATERIA	Airfreight
1	HF600.01	UP HINGE	110110036	2PCS	STAINLESS	A
2	HF600.02	HOOK OF LOCK	110110044	1PC		A
3	HR600.09	THERMOSTAT SUPPORT	108130004	1PC	PLASTIC	A
4	HF200.01	FRONT PANEL	108130012	1PC	PLASTIC	A
5	HF600.19	HINGE AXIS	107110010	2PCS	STAINLESS	A
6	GN2100TN.07	BUSHING	108300022	2PCS		A
7	HR200.86	LOCK	107130008	1PC		A
9	HF200.03	GASKET	108270285	1PC		A
10	HF200.04	DOOR	5107000350	1PC		D
11	HF600.08	DOWN HINGE	110110049	2PCS		A
12	HF400.05	EVAPORATOR SUPPORT	108030409	3PCS		A
13	HF200.06	EVAPORATOR	113050002	1PC		D
14	S900.13	FEET	108300183	2PCS		A
16	HF200.07	BODY	5102001825	1PC		G
18	S900.47	PLUG	104050031	1PC		A
20	G-VRX.02	COMPRESSOR	104010136	1PC		G
21	HF400.08	UNITE BOARD	5202001648	1PC		C
22	HR110.06	CONDENSER	113020067	1PC		B
23	HR200.99	CONDENSER FAN SUPPORT	5202001651	1PC		A
24	HR200.34	CONDENSER FAN	104030040	1PC		B
25	HF400.10	UNITE ROOM GRILLS	109040026	1PC		A
26	HF600.14L	EVAPORATOR FIXER	108110058	6PCS	PLASTIC	B
26	HF600.14R	EVAPORATOR FIXER	108110059	6PCS	PLASTIC	B
27	S900.32	SENSOR	5114000048	1PC		A
28	HF600.07	THERMOSTAT	104020085	1PC		A
29	HR200.20	FILTER DRIER	107180011	1PC		A