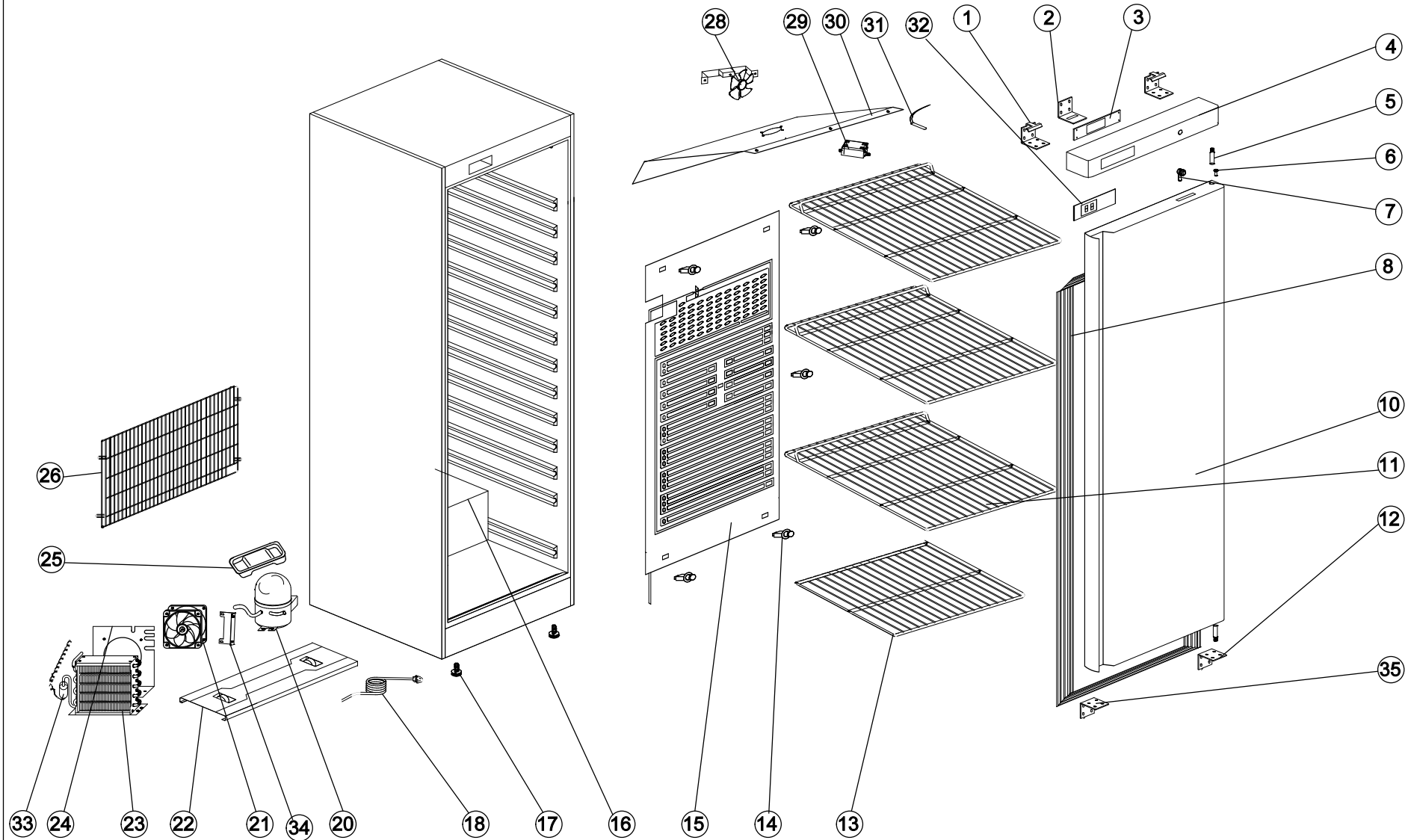


# EXPLOSIONSZEICHNUNG



KBS Gastrotechnik GmbH – Schoßbergstraße 26 – 65201 Wiesbaden

# EXPLODE OF G-HR400



**SPARE PARTS LIST - KBS 402 U**

<b>NO</b>	<b>CODE</b>	<b>NAME</b>	<b>CODE</b>	<b>QTY</b>
1	HF600.01	UP HINGE	110110036	2PCS
2	HF600.02	HOOK OF LOCK	110110044	1PC
3	HF600.09A	THERMOSTAT SUPPORT	108130004	1PC
4	HF200.01B	FRONT PANEL	108130012	1PC
5	HF600.19	HINGE AXIS	107110010	2PCS
6	GN2100TN.0 7	BUSHING	108300029	2PCS
7	HR200.86	LOCK	107130008	1PC
8	HF400.03	GASKET	108270286	1PC
10	HF400.04	DOOR	510700036 2	1PC
11	HR400.05A	SHELF	109020102	3PCS
12	HF600.08	DOWN HINGE	110110049	1PC
13	HR400.05B	BOTTOM SHELF	109020103	1PC
14	HR600.06	EVAPORATOR FIXER	108300130	5PCS
15	HR400.07	EVAPORATOR	113040016	1PC
16	HR400.08	BODY	510200054 5	1PC
17	S900.13	FEET	108300183	2PCS
18	S900.47	PLUG	104050031	1PC
20	G-VRX.02	COMPRESSOR	104010136	1PC
21	HR200.34	CONDENSER FAN	104030036	1PC
22	HF400.08	UNITE BOARD	520200164 8	1PC
		WHEEL	108300144	2PCS
		WHEELSPINDLE	107110009	2PCS
23	HR110.06	CONDENSER	113020067	1PC
24	HR200.99	CONDENSER FAN SUPPORT	520200165 0	1PC

25	S900.40A	WATER BOX	104010160	1PC
26	HF400.10	UNITE ROOM GRILLS	109040026	1PC
28	HR200.10	CIRCUIT FAN	104030051	1PC
29	S900.31	SENSOR FIXED BOX	108110314	1PC
30	HR400.02	CIRCUI FAN SUPPORT	520200164 7	1PC
31	S900.32	SENSOR JST	104020097	1PC
	S900.32	SENSOR PROBE	104020099	1PC
32	S900.02	THERMOSTAT	104020086	1PC
33	HR200.20	FILTER DRIER	107180011	1PC
34		FAN SUPPORT	520200165 1	1PC
35		DOWN HINGE /LEFT	108120055	1PC