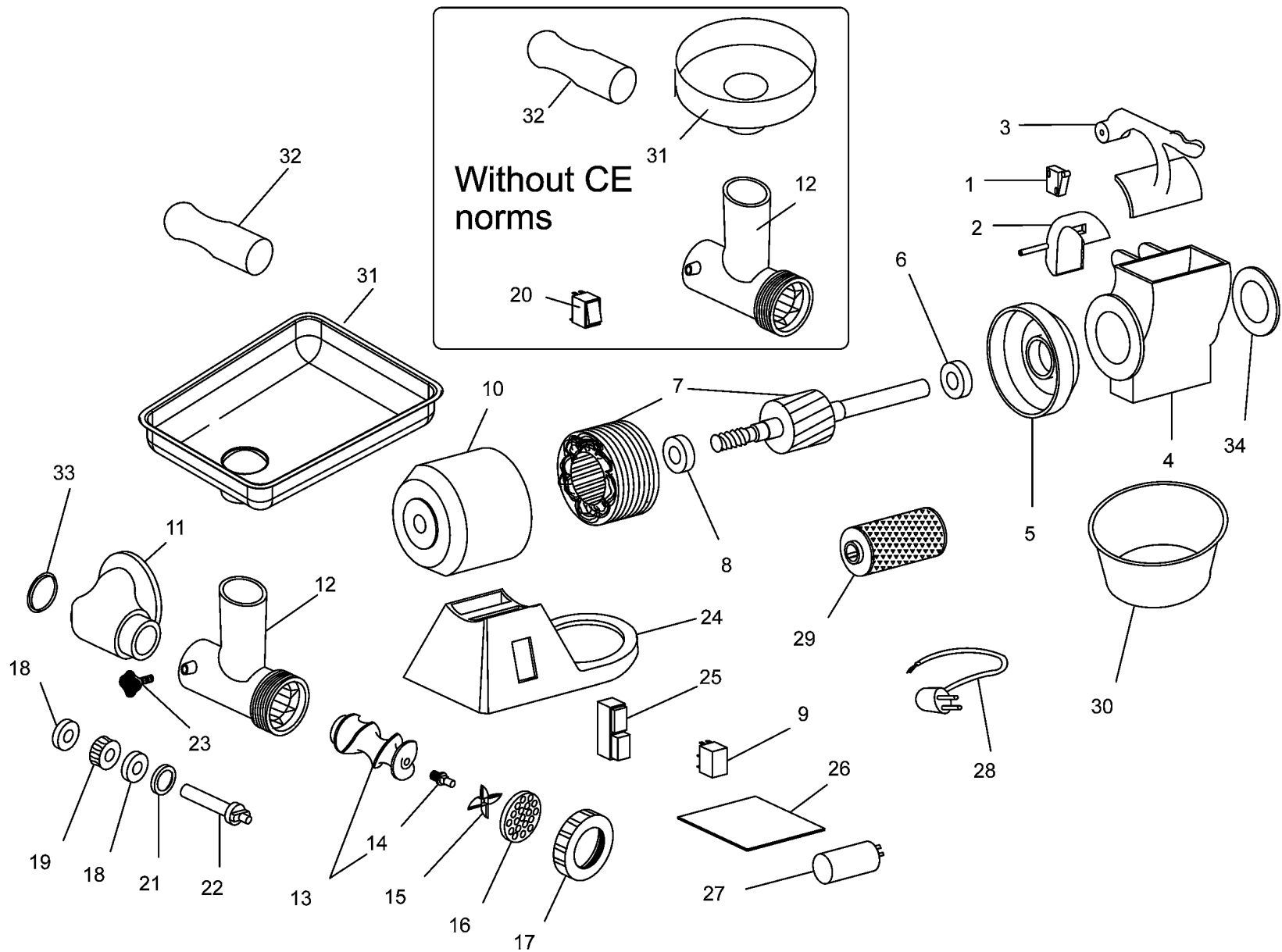


# EXPLOSIONSZEICHNUNG



KBS Gastrotechnik GmbH – Schoßbergstraße 26 – 65201 Wiesbaden



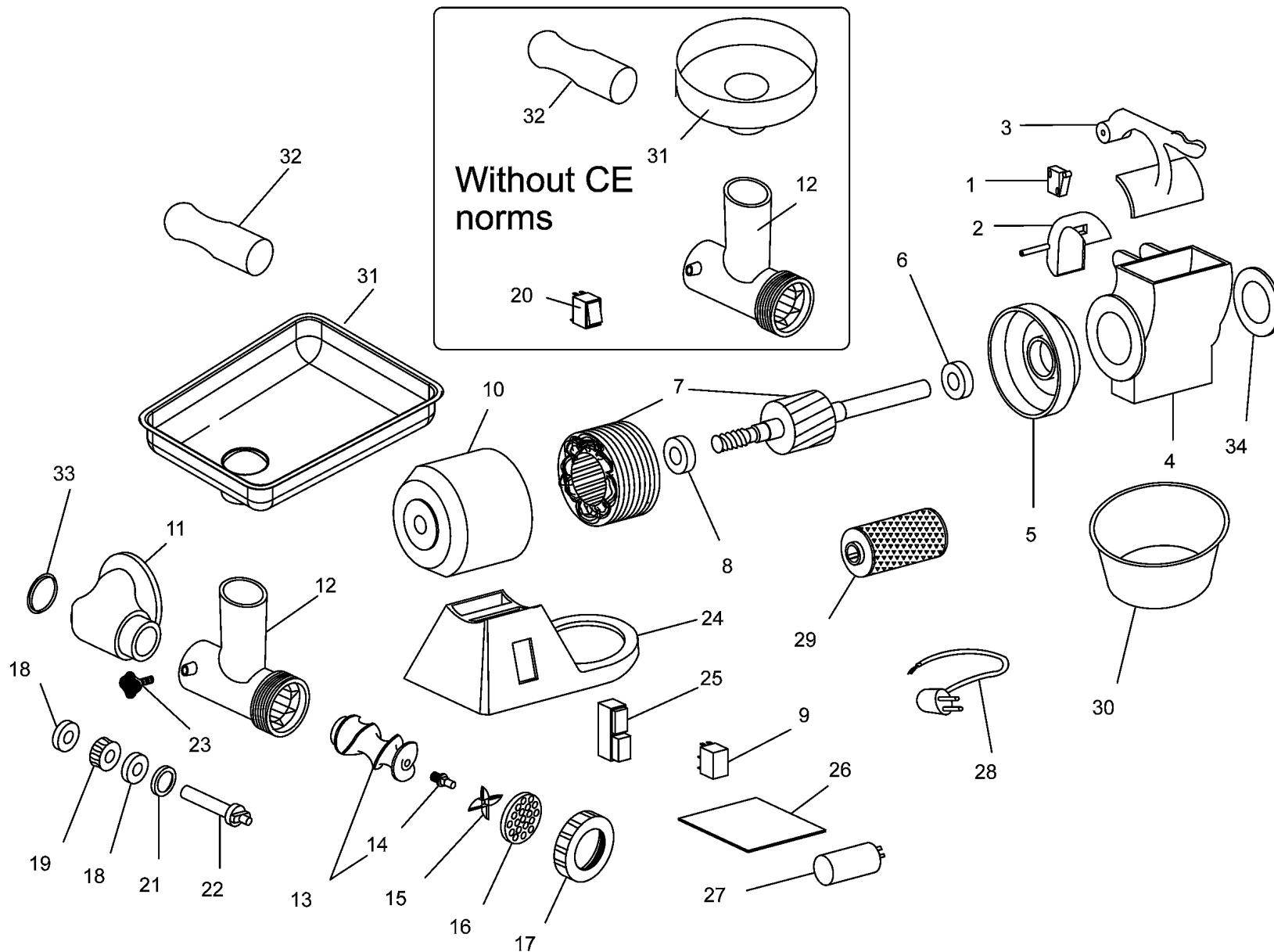
POS. CODE	
1	CO4330
1	CO4919
2	CO4920
3	CO0867
3	CO4332
4	CO0869
4	CO4333
5	CO4334
6	SL0073
7	CO2981
8	SL0223
9	SL3394
10	CO4319
11	CO4320
12	CO4321
12	CO5408
12	CO5513
13	CO4322
13	CO7560
14	CO4323
14	CO7561
15	//////////
16	//////////
17	CO4324
18	SL2472
19	CO4325
20	CO1038
21	CO2437
22	CO4326
23	CO4327
24	CO4336
25	CO0866
25	SL2919
26	CO4315
27	CO1442
28	SL1671
29	CO4337
30	CO4338
31	CO5354

SPEC.	N.	CODE	DENOMINAZIONE - DENOMINATION
02/10/07 f.p.(*)	1	CO4330	Microswitch - Microinterruttore
CE norms	* 1	CO4919	Microswitch - Microinterruttore
CE norms	2	CO4920	Covering - Copertura
	3	CO0867	Pressure - Pressore
01/04/08 f.p.(*)	3	CO4332	Pressure - Pressore
	4	CO0869	Casing - Bocca
01/04/08 f.p.(*)	4	CO4333	Casing - Bocca
	5	CO4334	Calotte - Calotta
6004 ZZ	6	SL0073	Bearing - Cuscinetto
230V/1Ph/50Hz	7	CO2981	Motor - Motore
6004 2RS	8	SL0223	Bearing - Cuscinetto
230V/1Ph/50Hz - CE norms	* 9	SL3394	Relay - Relay
	10	CO4319	Housing - Carcassa
	11	CO4320	Casing - Bocca
Without CE norms	12	CO4321	Sleeve - Bocchettone
CE norms - In 01/01/11	12	CO5408	Sleeve - Bocchettone
(Assembly) CE norms 31/12/10 f.p.(*)	12	CO5513	Sleeve+Hopper+Pusher - Bocchettone+Tramoggia+Pestello
(Assembly) 30/03/15 f.p.(*)	13	CO4322	Screw shaft - Elica
(Assembly) da matricola 15020728	* 13	CO7560	Screw shaft - Elica
30/03/15 f.p.(*)	14	CO4323	Pivot - Perno
da matricola 15020728	14	CO7561	Pivot - Perno
	* 15	//////////	Cutter - Coltello
	* 16	//////////	Cutter - Coltello
	17	CO4324	Handwheel - Volantino
6202 2RS	18	SL2472	Bearing - Cuscinetto
	19	CO4325	Gear - Ingranaggio
	* 20	CO1038	Switch - Interruttore
ø25xø35x7	21	CO2437	Oil seal - Paraolio
	22	CO4326	Shaft - Albero
	* 23	CO4327	Knob - Pomello
	24	CO4336	Base - Base
CE norms	* 25	CO0866	Push button - Pulsante
01/04/08 f.p.(*)	25	SL2919	Push button - Pulsante
	26	CO4315	Bottom - Fondo
10µF	27	CO1442	Condenser - Condensatore
1Ph+N+Gnd	28	SL1671	Electric cable - Cavo elettrico
	29	CO4337	Roller - Rullo
	30	CO4338	Container - Recipiente
CE norms - In 01/01/11	31	CO5354	Hopper - Tramoggia

\*Ricambio consigliato - Advised spare parts

POS. CODE

31	SL0136
32	CO5404
33	CO4329
34	CO0868





**SPARE PARTS**  
**TAVOLA RICAMBI**

ab8d

<b>SPEC.</b>	<b>N.</b>	<b>CODE</b>	<b>DENOMINAZIONE - DENOMINATION</b>
Without CE norms - CE norms 31/12/10 f.p.(*)	<b>31</b>	<b>SL0136</b>	<b>Hopper - Tramoggia</b>
CE norms - In 01/01/11	<b>32</b>	<b>CO5404</b>	<b>Pusher - Pestello</b>
	<b>33</b>	<b>CO4329</b>	<b>Cap - Tappo</b>
	<b>34</b>	<b>CO0868</b>	<b>Cap - Tappo</b>

\*Ricambio consigliato - Advised spare parts