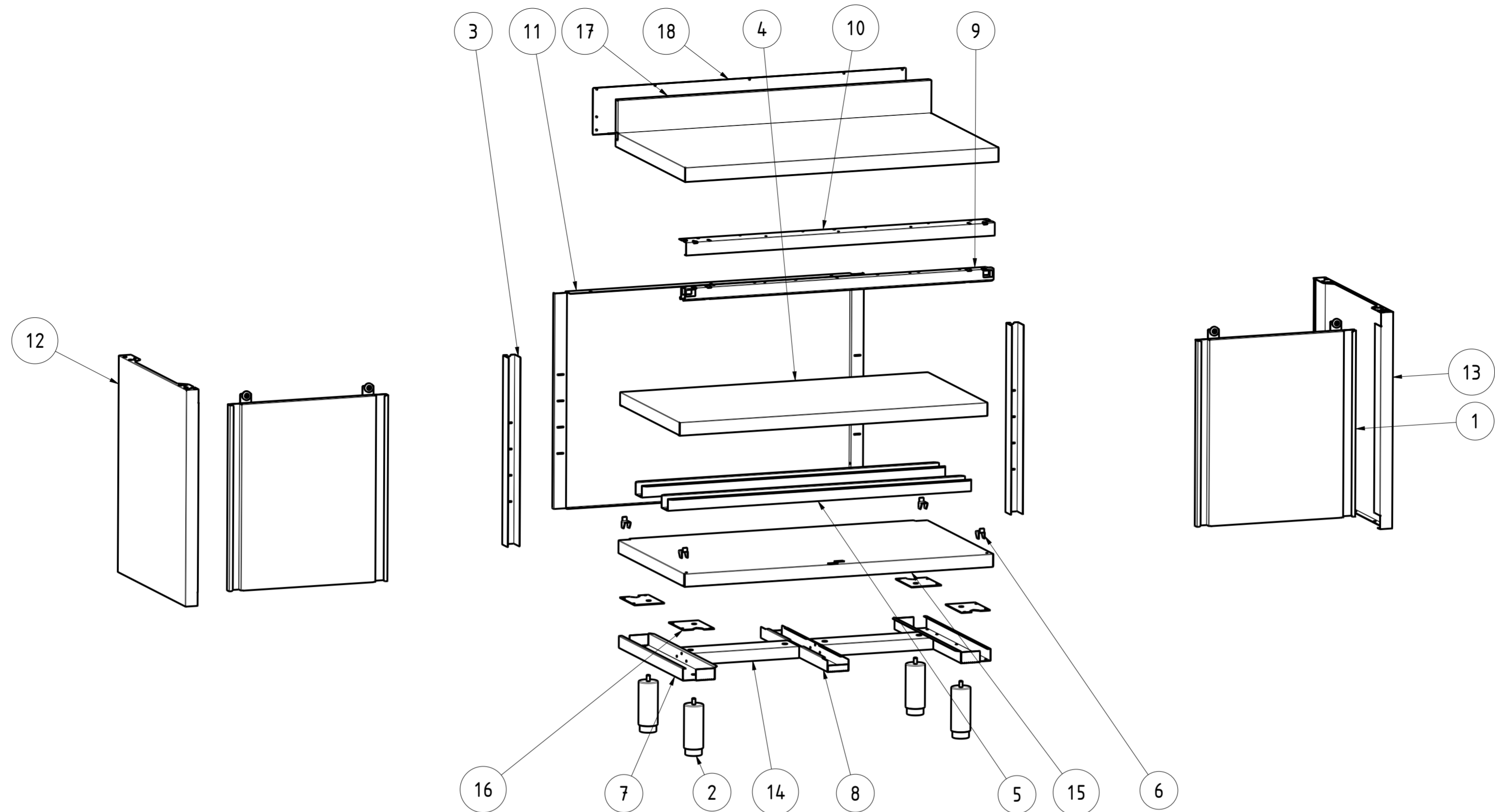


EXPLOSIONSZEICHNUNG



KBS Gastrotechnik GmbH – Schoßbergstraße 26 – 65201 Wiesbaden



18	NT4009Q	1	CHIUSURA ALZATINA TOP Q L100	UPSTAND BACK TOP Q L100
17	NT3947Q	1	TOP Q CON ALZATINA 100x60	TOP Q UPSTAND 100x60
16	NT4144	4	PIASTRA RIV PIEDINO PORTA BATTENTE	PLATE EXTERNAL LEG HINGED DOOR
15	NT4067	1	PIANO BASE 100x60	BASE SHELF 100x60
14	NT4056	2	OMEGA LONGITUDINALE (DIV.2) L100	LONGITUDINAL OMEGA L100
13	NT4045	1	PANNELLO LATERALE DX P60 H85	RIGHT SIDE PANEL P60 H85
12	NT4042	1	PANNELLO LATERALE SX P60 H85	LEFT SIDE PANEL P60 H85
11	NT3628	1	SCHIENALE L100 H85	BACK L100 H85
10	NT3588	1	ANGOLARE SUPP. BINARIO L100	ANGULAR BINARY SUPPORT L100
9	NT3577	1	BINARIO TAVOLI ARMADIATI L100	BINARY L100
8	NT2353	1	OMEGA CENTR RIV. PIANO BASE P60	CENTRAL OMEGA BASE SHELF P60
7	NT2351	2	OMEGA LATERALE PIANO BASE P60	LATERAL OMEGA BASE SHELF P60
6	NT330	4	STAFFA SUPPORTO RIPIANO INTERNO	GANCRIP - INTERNAL SHELF SUPPORT BRACKET
5	NT183	2	OMEGA RINFORZO PIANO INTERNO L100	OMEGA SHELF RENINFORCEMENT L100
4	NT163	1	PIANO INTERNO REGOLABILE TA 100x60	INTERNAL ADJUSTABLE SHELF TA 100x60
3	NT101	2	MONTANTE ASOLATO PER LATERALI H85	SLOTTED UPRIGHT H85
2	DSPIEDTA	4	PIEDINO PER TAVOLI ARMADIATI	FOOT FOR CABINET TABLES
1	APS_L100_H85	2	ASSIEME PORTE SCORREVOLI L100 H85	SLIDING DOORS ASSEMBLY L100 H85
ITEM NO	PART NUMBER	QTY	DESCRIPTION	

DATA DATE	MODIF. N. MODIF. NO.	DESCRIZIONE MODIFICHE MODIFICATION DESCRIPTION	DISegnATO DRAWN BY	APPROVATO APPROVED
MODELLO MODEL	TAVOLO ARMADIATO 100x60 ALZ TABLE CABINET 100x60 UPSTAND		DISEGNO N. DRAWING NO. DSTA106A	SCALA SCALE -
PARTICOLARE DETAIL	ESPLOSO EXPLODED VIEW		DISEGNATO DRAWN BY M.PAPI	DATA DATE -
MATERIALE MATERIAL	AISI 304 - AISI 430	SPES. THICK. -	APPROVATO APPROVED	SHEET 3 OF 5
FINITURA FINISH		PEZZI N. PIECES NO.	SOSTITUISCE IL DIS. N. IT REPLACES DRAWING NO.	ULTIMA EMISS. LAST EDITION
TRATTAMENTO TREATMENT		COLORE COLOUR	SOSTITUITO DAL DIS. N. REPLACED BY DRAWING NO.	
		RISTOPRO SRL FRAZ. BORGO TUFICO, 47 FABRIANO (AN) ITALY +39.732.043494 WWW.RISTOPRO.COM		

ELABORATO CON SISTEMA CAD DESIGNED BY CADSTEM
 QUOTA PRIMARIA PRIMARY DIMENSION XX
 ANGOLI Angles 30°
 >500 ±0.75
 400-500 ±0.65
 315-400 ±0.55
 250-315 ±0.45
 120-180 ±0.45
 80-120 ±0.40
 50-80 ±0.35
 30-50 ±0.30
 10-18 ±0.25
 5-10 ±0.15
 0-5 ±0.10
 TOLLERANZA UNLESS OTHERWISE STATED
 QUOTE SENZA TOLLERANZA
 LUNGHEZZE E DIAM. LENGTH AND DIAM.
 FORM.A-2