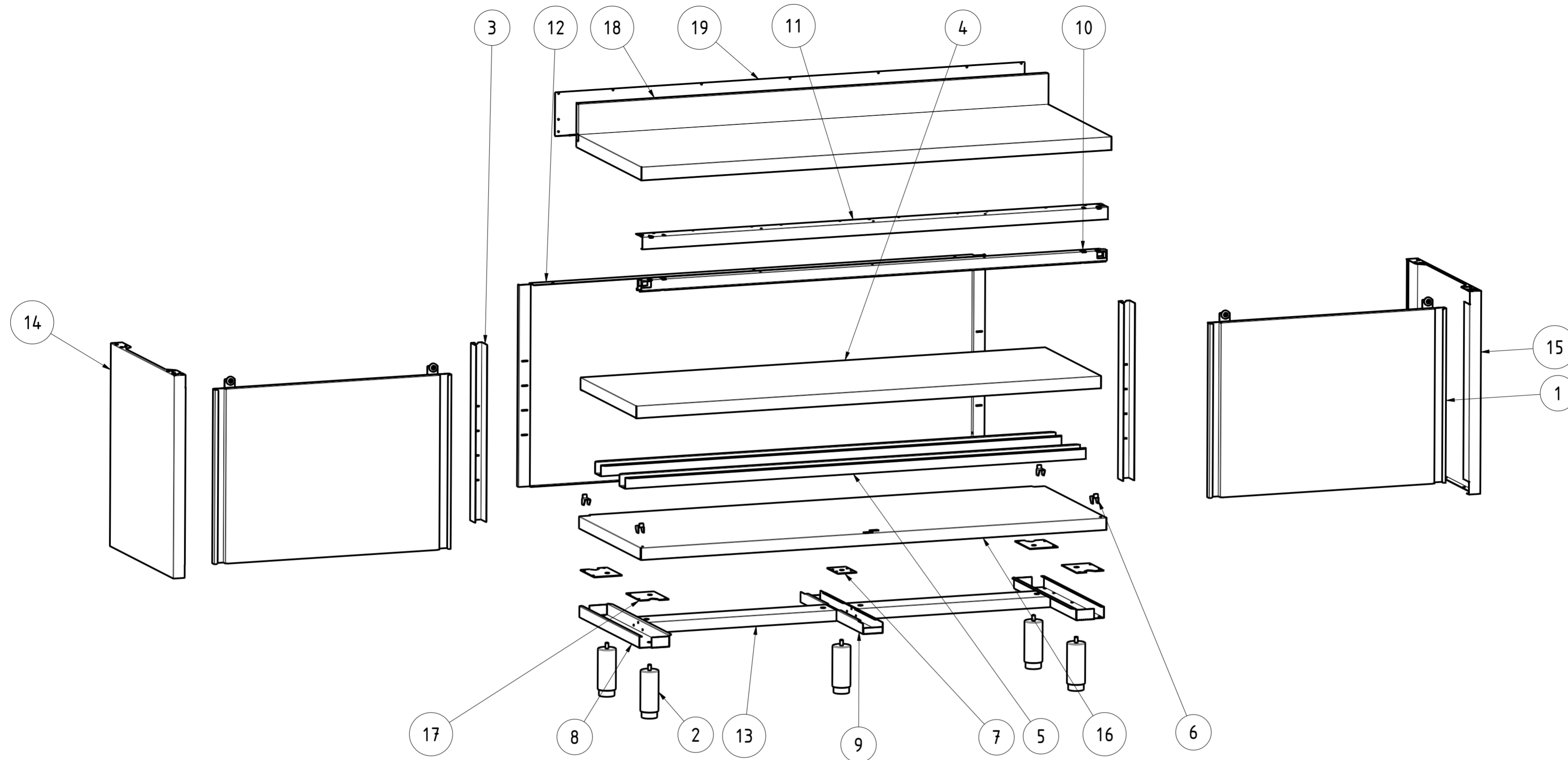


EXPLOSIONSZEICHNUNG



KBS Gastrotechnik GmbH – Schoßbergstraße 26 – 65201 Wiesbaden



19	NT4015Q	1	CHIUSURA ALZATINA TOP Q L160	UPSTAND BACK TOP Q L160
18	NT3953Q	1	TOP Q CON ALZATINA 160x60	TOP Q UPSTAND 160x60
17	NT4144	4	PIASTRA RIV PIEDINO PORTA BATTENTE	PLATE EXTERNAL LEG HINGED DOOR
16	NT4071	1	PIANO BASE 160x60	BASE SHELF 160x60
15	NT4045	1	PANNELLO LATERALE DX P60 H85	RIGHT SIDE PANEL P60 H85
14	NT4042	1	PANNELLO LATERALE SX P60 H85	LEFT SIDE PANEL P60 H85
13	NT4029	2	OMEGA LONGITUDINALE L160	LONGITUDINAL OMEGA L160
12	NT3634	1	SCHIENALE L160 H85	BACK L160 H85
11	NT3594	1	ANGOLARE SUPP. BINARIO L160	ANGULAR BINARY SUPPORT L160
10	NT3583	1	BINARIO TAVOLI ARMADIATI L160	BINARY L160
9	NT2353	1	OMEGA CENTR RIV. PIANO BASE P60	CENTRAL OMEGA BASE SHELF P60
8	NT2351	2	OMEGA LATERALE PIANO BASE P60	LATERAL OMEGA BASE SHELF P60
7	NT335	1	PIASTRA RINFORZO PER GAMBA CENTRALE	PLATE CENTRAL LEG
6	NT330	4	STAFFA SUPPORTO RIPIANO INTERNO	GANCRIP - INTERNAL SHELF SUPPORT BRACKET
5	NT187	2	OMEGA RINFORZO PIANO INTERNO L160	OMEGA SHELF RENINFORCEMENT L160
4	NT167	1	PIANO INTERNO REGOLABILE TA 160x60	INTERNAL ADJUSTABLE SHELF TA 160x60
3	NT101	2	MONTANTE ASOLATO PER LATERALI H85	SLOTTED UPRIGHT H85
2	DSPIEDTA	5	PIEDINO PER TAVOLI ARMADIATI	FOOT FOR CABINET TABLES
1	APS_L160_H85	2	ASSIEME PORTE SCORREVOLI L160 H85	SLIDING DOORS ASSEMBLY L160 H85
ITEM NO	PART NUMBER	QTY	DESCRIPTION	

DATA DATE	MODIF. N. MODIF. NO.	DESCRIZIONE MODIFICHE MODIFICATION DESCRIPTION	DISegnATO DRAWN BY	APPROVATO APPROVED
MODELLO MODEL	TAVOLO ARMADIATO 160x60 ALZATINA TABLE CABINET 160x60 UPSTAND		DISegno N. DRAWING NO. DSTA166A	SCALA SCALE -
PARTICOLARE DETAIL	ESPLOSO EXPLODED VIEW		DISegnATO DRAWN BY M.PAPI	DATA DATE -
MATERIALE MATERIAL	AISI 304 - AISI 430	SPES.S. THICK. -	APPROVATO APPROVED	SHEET 3 OF 5
FINITURA FINISH		PEZZI N. PIECES NO.	SOSTITUISCE IL DIS. N. IT REPLACES DRAWING NO.	ULTIMA EMISS. LAST EDITION
TRATTAMENTO TREATMENT	COLORE COLOUR		SOSTITUITO DAL DIS. N. REPLACED BY DRAWING NO.	
		RISTOPRO SRL FRAZ. BORGO TUFICO, 47 FABRIANO (AN) ITALY +39.732.043494 WWW.RISTOPRO.COM		

ELABORATO CON SISTEMA CAD DESIGNED BY CADSTEM
 QUOTA PRIMARIA PRIMARY DIMENSION XX
 ANGOLI Angles 30°
 TOLLERANZA UNLESS OTHERWISE STATED
 QUOTE SENZA TOLLERANZA
 >500 ±0.75
 400-500 ±0.65
 315-400 ±0.60
 250-315 ±0.55
 180-250 ±0.50
 120-180 ±0.45
 80-120 ±0.40
 50-80 ±0.35
 30-50 ±0.30
 10-30 ±0.25
 5-10 ±0.15
 0-5 ±0.10
 LUNGH. E DIAM. LENGTH AND DIAM. mm
 FORM.A-2