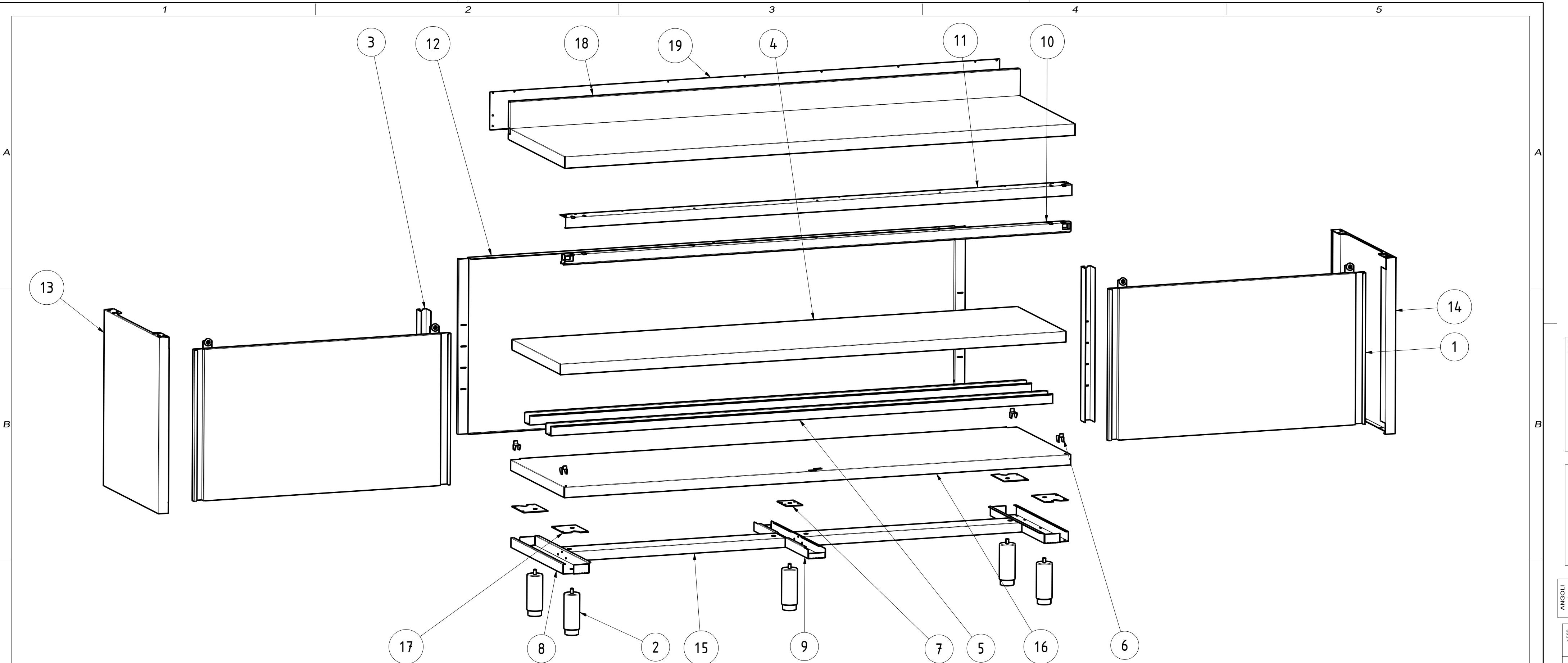


EXPLOSIONSZEICHNUNG



KBS Gastrotechnik GmbH – Schoßbergstraße 26 – 65201 Wiesbaden



19	NT4017Q	1	CHIUSURA ALZATINA TOP Q L200	UPSTAND BACK TOP Q L200
18	NT3955Q	1	TOP Q CON ALZATINA 200x60	TOP Q UPSTAND 200x60
17	NT4144	4	PIASTRA RIV PIEDINO PORTA BATTENTE	PLATE EXTERNAL LEG HINGED DOOR
16	NT4073	1	PIANO BASE 200x60	BASE SHELF 200x60
15	NT4064	2	OMEGA LONGITUDINALE (DIV.2) L200	LONGITUDINAL OMEGA L200
14	NT4045	1	PANNELLO LATERALE DX P60 H85	RIGHT SIDE PANEL P60 H85
13	NT4042	1	PANNELLO LATERALE SX P60 H85	LEFT SIDE PANEL P60 H85
12	NT3638	1	SCHIENALE L200 H85	BACK L200 H85
11	NT3598	1	ANGOLARE SUPP. BINARIO L200	ANGULAR BINARY SUPPORT L200
10	NT3587	1	BINARIO TAVOLI ARMADIATI L200	BINARY L200
9	NT2353	1	OMEGA CENTR RIV. PIANO BASE P60	CENTRAL OMEGA BASE SHELF P60
8	NT2351	2	OMEGA LATERALE PIANO BASE P60	LATERAL OMEGA BASE SHELF P60
7	NT335	1	PIASTRA RINFORZO PER GAMBA CENTRALE	PLATE CENTRAL LEG
6	NT330	4	STAFFA SUPPORTO RIPIANO INTERNO	GANCRIP - INTERNAL SHELF SUPPORT BRACKET
5	NT189	2	OMEGA RINFORZO PIANO INTERNO L200	OMEGA SHELF RENINFORCEMENT L200
4	NT169	1	PIANO INTERNO REGOLABILE TA 200x60	INTERNAL ADJUSTABLE SHELF TA 200x60
3	NT101	2	MONTANTE ASOLATO PER LATERALI H85	SLOTTED UPRIGHT H85
2	DSPIEDTA	5	PIEDINO PER TAVOLI ARMADIATI	FOOT FOR CABINET TABLES
1	APS_L200_H85	2	ASSIEME PORTE SCORREVOLI L200 H85	SLIDING DOORS ASSEMBLY L200 H85
ITEM NO	PART NUMBER	QTY	DESCRIPTION	

DATA DATE	MODIF. N. MODIF. NO.	DESCRIZIONE MODIFICHE MODIFICATION DESCRIPTION	DESEGNATO DRAWN BY	APPROVATO APPROVED
MODELLO MODEL	TAVOLO ARMADIATO 200x60 ALZATINA TABLE CABINET 200x60 UPSTAND		DISEGNO N. DRAWING NO. DSTA206A	SCALA SCALE -
PARTICOLARE DETAIL	ESPLOSO EXPLODED VIEW		DISEGNATO DRAWN BY M.PAPI	DATA DATE -
MATERIALE MATERIAL	AISI 304 - AISI 430	SPES. THICK. -	APPROVATO APPROVED	SHEET 3 OF 5
FINITURA FINISH		PEZZI N. PIECES NO.	SOSTITUISCE IL DIS. N. IT REPLACES DRAWING NO.	ULTIMA EMISS. LAST EDITION
TRATTAMENTO TREATMENT	COLORE COLOUR	SOSTITUITO DAL DIS. N. REPLACED BY DRAWING NO.		
		RISTOPRO SRL FRAZ. BORGO TUFICO, 47 FABRIANO (AN) ITALY +39.732.043494 WWW.RISTOPRO.COM		

ELABORATO CON SISTEMA CAD
DESIGNED BY CADSTEM

QUOTA PRIMARIA
PRIMARY DIMENSION
XX

ANGOLI
Angles
30°

TOLLERANZA UNLESS OTHERWISE STATED

>500	±0.75
400-500	±0.65
315-400	±0.60
250-315	±0.55
180-250	±0.50
120-180	±0.45
80-120	±0.40
50-80	±0.35
30-50	±0.30
10-30	±0.25
5-10	±0.15
0-5	±0.10

LUNGH. E DIAM.
LENGTH AND DIAM.
FORM.A-2