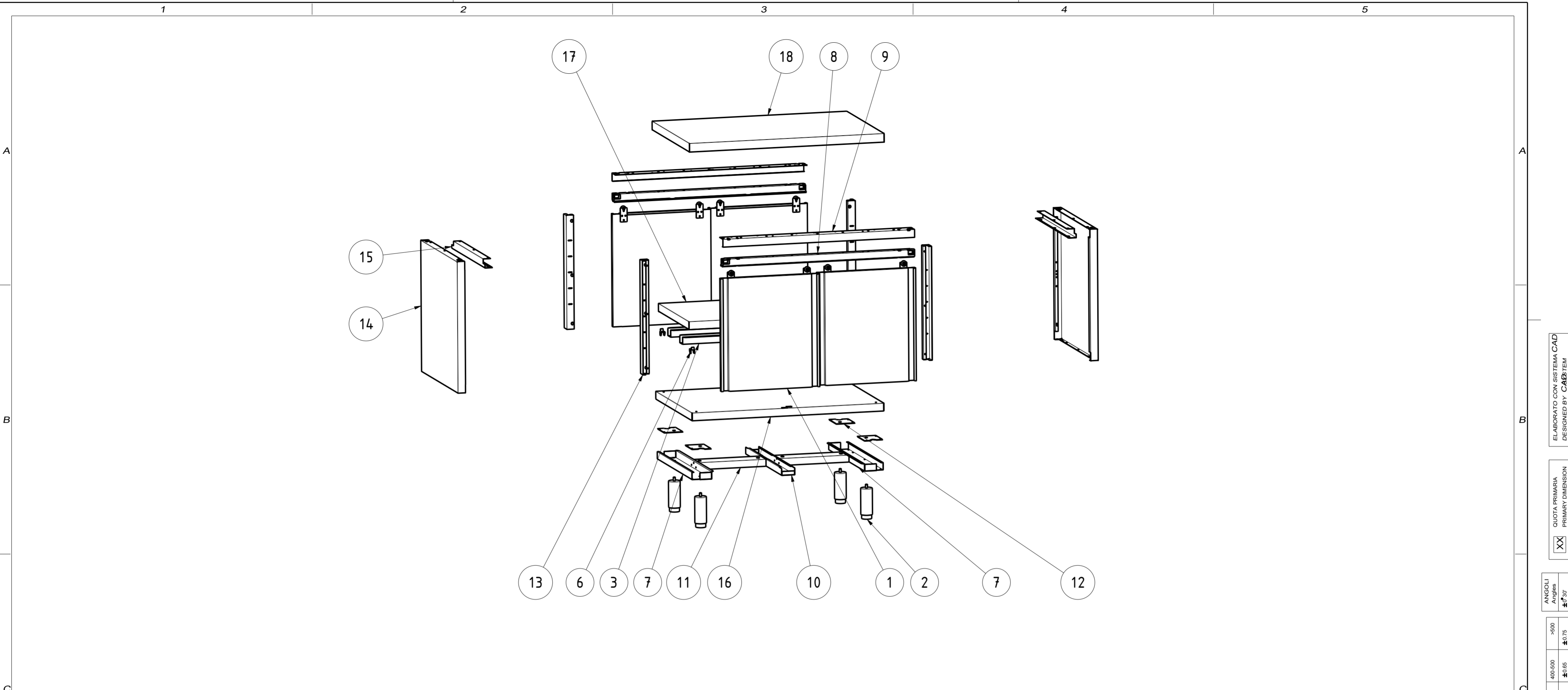


EXPLOSIONSZEICHNUNG



KBS Gastrotechnik GmbH – Schoßbergstraße 26 – 65201 Wiesbaden



18	NT3932Q	1	TOP Q 100x70	TOP Q 100x70
17	NT6032	1	PIANO INTERNO REGOLABILE TAP TF 100x70	INTERNAL ADJUSTABLE SHELF TAP 100x70
16	NT4415	1	PIANO BASE TAP 100x70	BASE SHELF TAP 100x70
15	NT4151	2	COLLEGAMENTO MONTANTI P70	UPRIGHT CONNECTION P70
14	NT4149	2	FIANCO DX/SX TAVOLO SU FIANCHI/PASSANTE P70	RIGHT/LEFT SIDE TABLE ON SIDES P70
13	NT4147	4	MONTANTE ASOLATO	HOLED UPRIGHT
12	NT4144	4	PIASTRA RIV PIEDINO PORTA BATTENTE	PLATE EXTERNAL LEG HINGED DOOR
11	NT4056	2	OMEGA LONGITUDINALE (DIV.2) L100	LONGITUDINAL OMEGA L100
10	NT4033	1	OMEGA CENTR RIV. PIANO BASE P70	CENTRAL OMEGA BASE SHELF P70
9	NT3588	2	ANGOLARE SUPP. BINARIO L100	ANGULAR BINARY SUPPORT L100
8	NT3577	2	BINARIO TAVOLI ARMADIATI L100	BINARY L100
7	NT2450	2	OMEGA LATERALE PIANO BASE P70	LATERAL OMEGA BASE SHELF P70
6	NT330	4	STAFFA SUPPORTO RIPIANO INTERNO	GANCRIIP - INTERNAL SHELF SUPPORT BRACKET
5	NT314	4	PAN. EST. ANTA SCORREVOLE PER PENSILE L100 H85	EXTERNAL SLIDING DOOR CABINET L100 H85
4	NT307	4	PAN. INT. ANTA SCORREVOLE PENSILE L100 H85	INTERNAL SLIDING DOOR CABINET L100 H85
3	NT183	2	OMEGA RINFORZO PIANO INTERNO L100	OMEGA SHELF RENINFORCEMENT L100
2	DSPIEDTA	4	PIEDINO PER TAVOLI ARMADIATI	FOOT FOR CABINET TABLES
1	APS_L100_H85	4	ASSIEME PORTE SCORREVOLI L100 H85	SLIDING DOORS ASSEMBLY L100 H85
ITEM NO	PART NUMBER	QTY	DESCRIPTION	

DATA DATE	MODIF. N. MODIF. NO.	DESCRIZIONE MODIFICHE MODIFICATION DESCRIPTION	DISEGNATO DRAWN BY	APPROVATO APPROVED
-	-	-	-	-
MODELLO MODEL	TAVOLO PASSANTE 100x70 OPEN TABLE SLIDING DOORS 100x70		DISSEGNO N. DRAWING NO. DSTAP107	SCALA SCALE -
PARTICOLARE DETAIL	SCHEDA TECNICA DATA SHEET		DISEGNATO DRAWN BY M.PAPI	DATA DATE -
MATERIALE MATERIAL	SPESS. THICK.	APPROVATO APPROVED	SHEET 3 OF 4	
FINITURA FINISH	PEZZI N. PIECES NO.	SOSTITUISCE IL DIS. N. IT REPLACES DRAWING NO.	ULTIMA EMISS. LAST EDITION	
TRATTAMENTO TREATMENT	COLORE COLOUR	SOSTITUITO DAL DIS. N. REPLACED BY DRAWING NO.		
		RISTOPRO SRL FRAZ. BORGO TUFICO, 47 FABRIANO (AN) ITALY +39.732.043494 WWW.RISTOPRO.COM		

ELABORATO CON SISTEMA CAD
 DESIGNED BY CAD/STEM
 QUOTA PRIMARIA
 PRIMARY DIMENSION
 XX
 ANGOLI
 Angles
 >500
 ±0.75
 400-500
 ±0.65
 315-400
 ±0.55
 250-315
 ±0.5
 120-180
 ±0.45
 80-120
 ±0.4
 50-80
 ±0.35
 30-50
 ±0.3
 10-18
 ±0.25
 5-10
 ±0.15
 0-5
 ±0.10
 LUNGHEZZE E DIAM.
 LENGTH AND DIAM.
 TOLLERANZA UNLESS OTHERWISE STATED
 TOLERANCE
 FORM.A-2