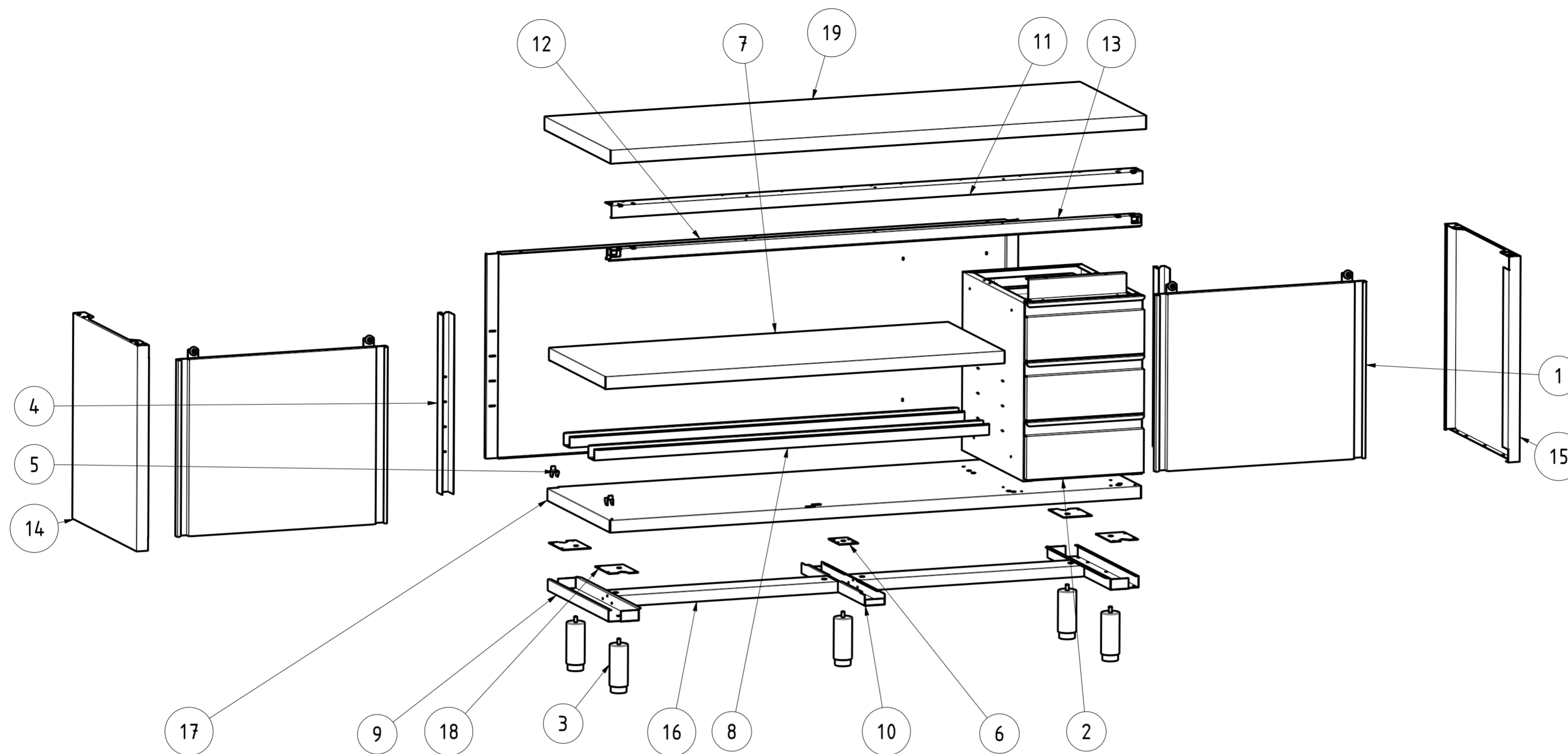


EXPLOSIONSZEICHNUNG



KBS Gastrotechnik GmbH – Schoßbergstraße 26 – 65201 Wiesbaden



19	NT3924Q	1	TOP Q 180x60	TOP Q 180x60
18	NT4144	4	PIASTRA RIV PIEDINO PORTA BATTENTE	PLATE EXTERNAL LEG HINGED DOOR
17	NT4091	1	PIANO BASE 3CD 180x60	BASE SHELF 180x60
16	NT4062	2	OMEGA LONGITUDINALE (DIV.2) L180	LONGITUDINAL OMEGA L180
15	NT4045	1	PANNELLO LATERALE DX P60 H85	RIGHT SIDE PANEL P60 H85
14	NT4042	1	PANNELLO LATERALE SX P60 H85	LEFT SIDE PANEL P60 H85
13	NT3772	1	BINARIO TAVOLI ARMADIATI L180 CASS.RA DX	BINARY L180 RIGHT DRAWER
12	NT3758	1	SCHIENALE 3CD L190 H85	BACK L190 H85
11	NT3596	1	ANGOLARE SUPP. BINARIO L180	ANGULAR BINARY SUPPORT L180
10	NT2353	1	OMEGA CENTR RIV. PIANO BASE P60	CENTRAL OMEGA BASE SHELF P60
9	NT2351	2	OMEGA LATERALE PIANO BASE P60	LATERAL OMEGA BASE SHELF P60
8	NT430	2	OMEGA RINFORZO PIANO INTERNO CASS. VERT. L180	OMEGA SHELF RENINFORCMENT L180
7	NT418	1	PIANO INTERNO REGOLABILE 3CD/3CS 180x60	INTERNAL ADJUSTABLE SHELF 3CD/3CS 180x60
6	NT335	1	PIASTRA RINFORZO PER GAMBA CENTRALE	PLATE CENTRAL LEG
5	NT330	2	STAFFA SUPPORTO RIPIANO INTERNO	GANCRIIP - INTERNAL SHELF SUPPORT BRACKET
4	NT101	2	MONTANTE ASOLATO PER LATERALI H85	SLOTTED UPRIGHT H85
3	DSPIEDTA	5	PIEDINO PER TAVOLI ARMADIATI	FOOT FOR CABINET TABLES
2	DSC3CH_40-58-57	1	ASSIEME CASS.RA (DSTA) L40 P60 H57 (3 CASS)	DRAWER ASS. (DSTA) L40 P60 H57 (3 DRAW.)
1	APS_L140_H85	2	ASSIEME PORTE SCORREVOLI L140 H85	SLIDING DOORS ASSEMBLY L140 H85
ITEM NO	PART NUMBER	QTY	DESCRIPTION	

DATA DATE	MODIF. N. MODIF. NO.	DESCRIZIONE MODIFICHE MODIFICATION DESCRIPTION	DISegnATO DRAWN BY	APPROVATO APPROVED
MODELLO MODEL	TAVOLO ARMADIATO 3 CASSETTI DX 180x60 TABLE CABINET 3 DRAWERS RIGHT 180x60		DISEGNO N. DRAWING NO. DSTA3CD186	SCALA SCALE -
PARTICOLARE DETAIL	ESPLOSO EXPLODED VIEW		DISEGNATO DRAWN BY M.PAPI	DATA DATE -
MATERIALE MATERIAL	AISI 304 - AISI 430	SPESS. THICK. -	APPROVATO APPROVED	SHEET 3 OF 4
FINITURA FINISH		PEZZI N. PIECES NO.	SOSTITUISCE IL DIS. N. IT REPLACES DRAWING NO.	ULTIMA EMISS. LAST EDITION
TRATTAMENTO TREATMENT		COLORE COLOUR	SOSTITUITO DAL DIS. N. REPLACED BY DRAWING NO.	
		RISTOPRO SRL FRAZ. BORGO TUFICO, 47 FABRIANO (AN) ITALY +39.732.043494 WWW.RISTOPRO.COM		 mm

ELABORATO CON SISTEMA CAD
DESIGNED BY CAD/STEM

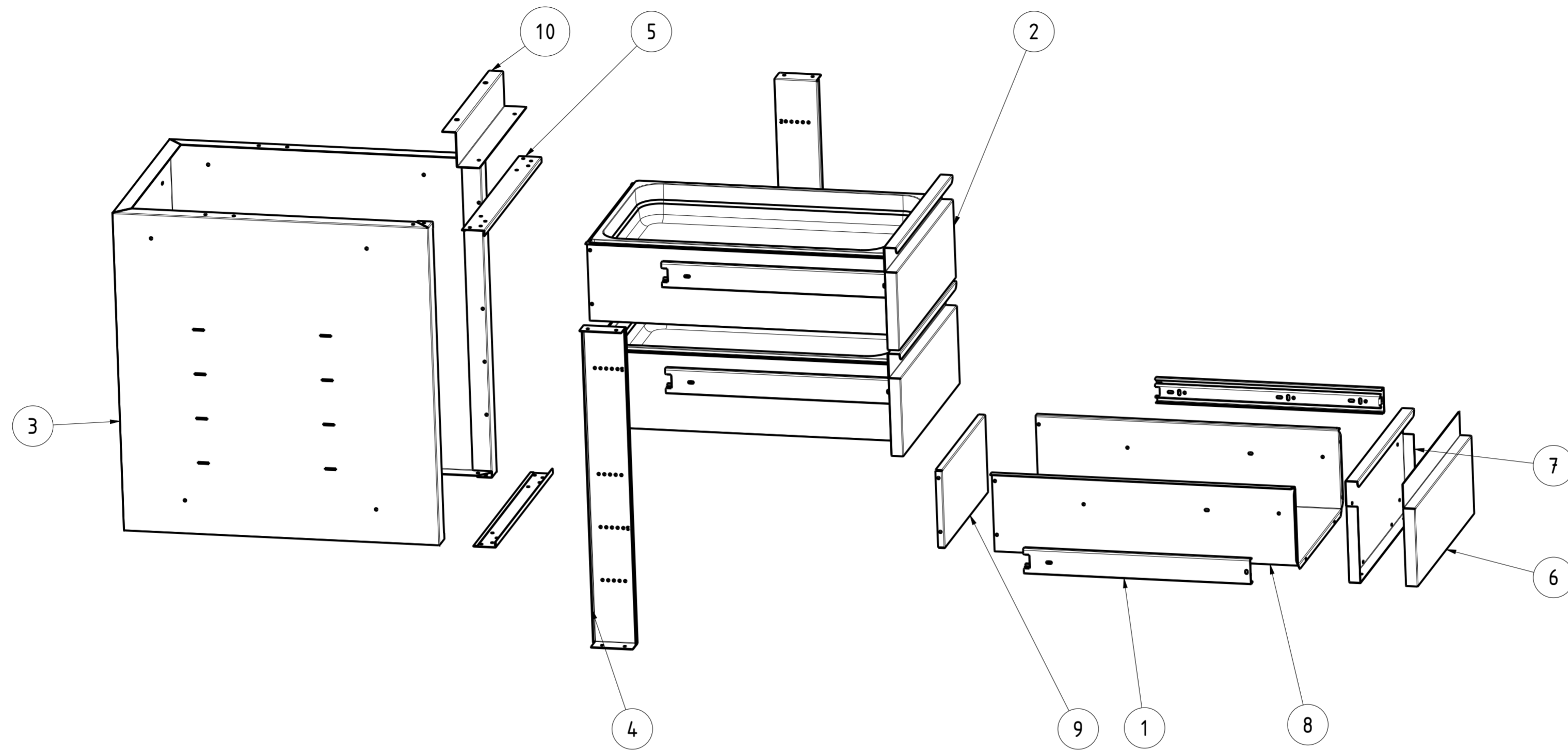
QUOTA PRIMARIA
PRIMARY DIMENSION
XX

ANGOLI
Angles
30°

TOLLERANZA UNLESS OTHERWISE STATED

>500	±0.75
400-500	±0.65
315-400	±0.60
250-315	±0.55
180-250	±0.50
120-180	±0.45
80-120	±0.40
50-80	±0.35
30-50	±0.30
18-30	±0.25
10-18	±0.20
5-10	±0.15
0-5	±0.10

LUNGHEZZE E DIAM.
LENGTH AND DIAM.
mm



ITEM NO	PART NUMBER	QTY	DESCRIPTION	
10	NT3774	1	STAFFA STABILIZ. CASSETTIERA L40	DRAWER STABILIZER BRACKET L40
9	NT360	3	CHIUSURA VANO CASSETTO L40 H18.5	DRAWER CLOSING L40 H18.5
8	NT359	3	VANO CASSETTO L40 P60 H18.5	DRAWER COMPARTMENT L40 P60 H18.5
7	NT358	3	FRONTALE INTERNO CASSETTO L40 H18.5	INTERNAL DRAWER FRONT L40 H18.5
6	NT357	3	FRONTALE ESTERNO CASSETTO L40 H18.5	EXTERNAL DRAWER FRONT L40 H18.5
5	NT355	2	ANGOLARE CASSONE SUPERIORE L40	CORNER UPPER BOX CONNECTION L40
4	NT354	2	SUPPORTO VERTIC. GUIDE TELESCOPICHE	VERTICAL SUPPORT TELESCOPIC GUIDE
3	NT352	1	CASSONE CASSETTIERA L40 P60	EXTERNAL BOX DRAWERS L40 P60
2	DRAWER_DSTA_3C_40_58_18-5	3	ASS CASSETTO DSTA 3C L40 P60 H18.5	DRAWER ASSEMBLY DSTA 3C L40 P60 H18.5
1	ASS_GUIDA_CASSETTO	6	GUIDA PER CASSETTO	GUIDE FOR DRAWER

DATA DATE	MODIF. N. MODIF. NO.	DESCRIZIONE MODIFICHE MODIFICATION DESCRIPTION	DISegnATO DRAWN BY	APPROVATO APPROVED
MODELLO MODEL		ASSIEME CASS. RA (DSTA) L40 P60 H57 (3 CASS) DRAWER ASS. (DSTA) L40 P60 H57 (3 DRAW.)	DISEGNO N. DRAWING NO. DSC3CH_40-58-57	SCALA SCALE -
PARTICOLARE DETAIL		ESPLOSO EXPLODED VIEW	DISEGNATO DRAWN BY M.PAPI	DATA DATE -
MATERIALE MATERIAL		AISI 304 - AISI 430	SPES. THICK. -	APPROVATO APPROVED
FINITURA FINISH			PEZZI N. PIECES NO.	SOSTITUISCE IL DIS. N. IT REPLACES DRAWING NO.
TRATTAMENTO TREATMENT			COLORE COLOUR	SOSTITUITO DAL DIS. N. REPLACED BY DRAWING NO.
				ULTIMA EMISS. LAST EDITION
				SHEET 4 OF 4

RISTOPRO PROFESSIONAL CATERING EQUIPMENT
 RISTOPRO SRL
 FRAZ. BORGO TUFICO, 47 FABRIANO (AN)
 ITALY +39.732.043494
 WWW.RISTOPRO.COM

mm
 FORM.A-2

ELABORATO CON SISTEMA CAD DESIGNED BY CAD/STEM
 QUOTA PRIMARIA PRIMARY DIMENSION XX
 ANGOLI Angles 30°
 TOLLERANZA UNLESS OTHERWISE STATED
 QUOTE SENZA TOLLERANZA
 >500 ±0.75
 400-500 ±0.65
 315-400 ±0.60
 250-315 ±0.55
 180-250 ±0.50
 120-180 ±0.45
 80-120 ±0.40
 50-80 ±0.35
 30-50 ±0.30
 10-30 ±0.25
 5-10 ±0.15
 0-5 ±0.10
 LUNGHEZZE E DIAM. LENGTH AND DIAM.