

# EXPLOSIONSZEICHNUNG



KBS Gastrotechnik GmbH – Schoßbergstraße 26 – 65201 Wiesbaden

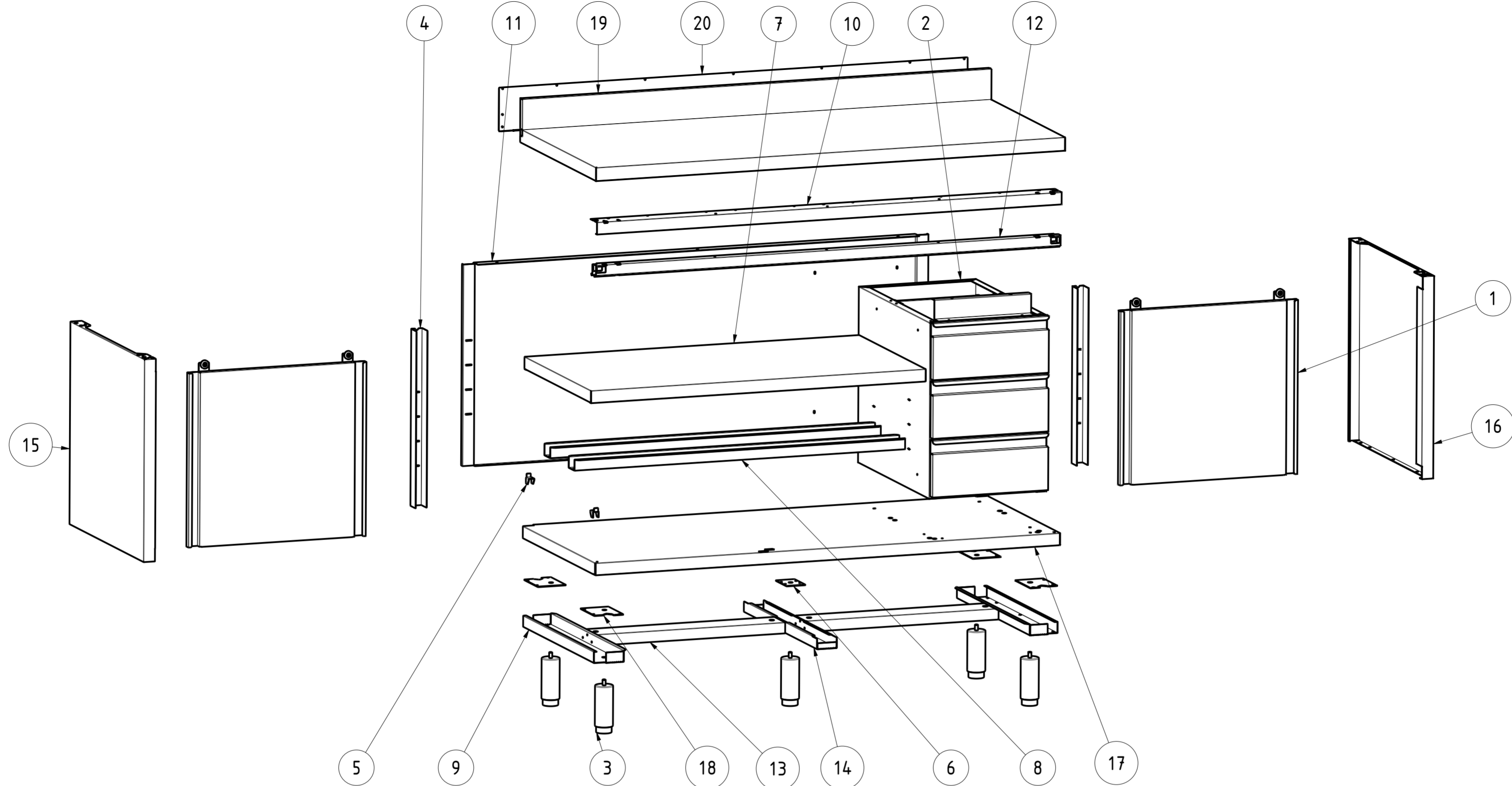
1

2

3

4

5



20	NT4015Q	1	CHIUSURA ALZATINA TOP Q L160	UPSTAND BACK TOP Q L160
19	NT3968Q	1	TOP Q CON ALZATINA 160x70	TOP Q UPSTAND 160x70
18	NT4144	4	PIASTRA RIV PIEDINO PORTA BATTENTE	PLATE EXTERNAL LEG HINGED DOOR
17	NT4096	1	PIANO BASE 3CD 160x70	BASE SHELF 160x70
16	NT4046	1	PANNELLO LATERALE DX P70 H85	RIGHT SIDE PANEL P70 H85
15	NT4044	1	PANNELLO LATERALE SX P70 H85	LEFT SIDE PANEL P70 H85
14	NT4033	1	OMEGA CENTR RIV. PIANO BASE P70	CENTRAL OMEGA BASE SHELF P70
13	NT4029	2	OMEGA LONGITUDINALE L160	LONGITUDINAL OMEGA L160
12	NT3771	1	BINARIO TAVOLI ARMADIATI L160 CASS.RA DX	BINARY L160 RIGHT DRAWER
11	NT3757	1	SCHIENALE 3CD L160 H85	BACK L160 H85
10	NT3594	1	ANGOLARE SUPP. BINARIO L160	ANGULAR BINARY SUPPORT L160
9	NT2450	2	OMEGA LATERALE PIANO BASE P70	LATERAL OMEGA BASE SHELF P70
8	NT429	2	OMEGA RINFORZO PIANO INTERNO CASS. VERT. L160	OMEGA SHELF RENINFORCMENT L160
7	NT423	1	PIANO INTERNO REGOLABILE 3CD/3CS 160x70	INTERNAL ADJUSTABLE SHELF 3CD/3CS 160x70
6	NT335	1	PIASTRA RINFORZO PER GAMBA CENTRALE	PLATE CENTRAL LEG
5	NT330	2	STAFFA SUPPORTO RIPIANO INTERNO	GANCRIIP - INTERNAL SHELF SUPPORT BRACKET
4	NT101	2	MONTANTE ASOLATO PER LATERALI H85	SLOTTED UPRIGHT H85
3	DSPIEDTA	5	PIEDINO PER TAVOLI ARMADIATI	FOOT FOR CABINET TABLES
2	DSC3CH_40-68-57	1	ASSIEME CASS.RA (DSTA) L40 P70 H57 (3 CASS)	DRAWER ASS. (DSTA) L40 P70 H57 (3 DRAW.)
1	APS_L120_H85	2	ASSIEME PORTE SCORREVOLI L120 H85	SLIDING DOORS ASSEMBLY L120 H85
ITEM NO	PART NUMBER	QTY	DESCRIPTION	

DATA DATE	MODIF. N. MODIF. NO.	DESCRIZIONE MODIFICHE MODIFICATION DESCRIPTION	DISegnATO DRAWN BY	APPROVATO APPROVED
MODELLO MODEL	TAVOLO ARMADIATO 3 CASSETTI DX 160x70 ALZATINA TABLE CABINET 3 DRAWERS RIGHT 160x70 UPSTAND		DISEGNO N. DRAWING NO. DSTA3CD167A	SCALA SCALE -
PARTICOLARE DETAIL	ESPLOSO EXPLODED VIEW		DISEGNATO DRAWN BY M.PAPI	DATA DATE -
MATERIALE MATERIAL	AISI 304 - AISI 430	SPES.S. THICK. -	APPROVATO APPROVED	SHEET 4 OF 5
FINITURA FINISH		PEZZI N. PIECES NO.	SOSTITUISCE IL DIS. N. IT REPLACES DRAWING NO.	ULTIMA EMISS. LAST EDITION
TRATTAMENTO TREATMENT	COLORE COLOUR		SOSTITUITO DAL DIS. N. REPLACED BY DRAWING NO.	
		RISTOPRO SRL FRAZ. BORGO TUFICO, 47 FABRIANO (AN) ITALY +39.732.043494 WWW.RISTOPRO.COM		 mm

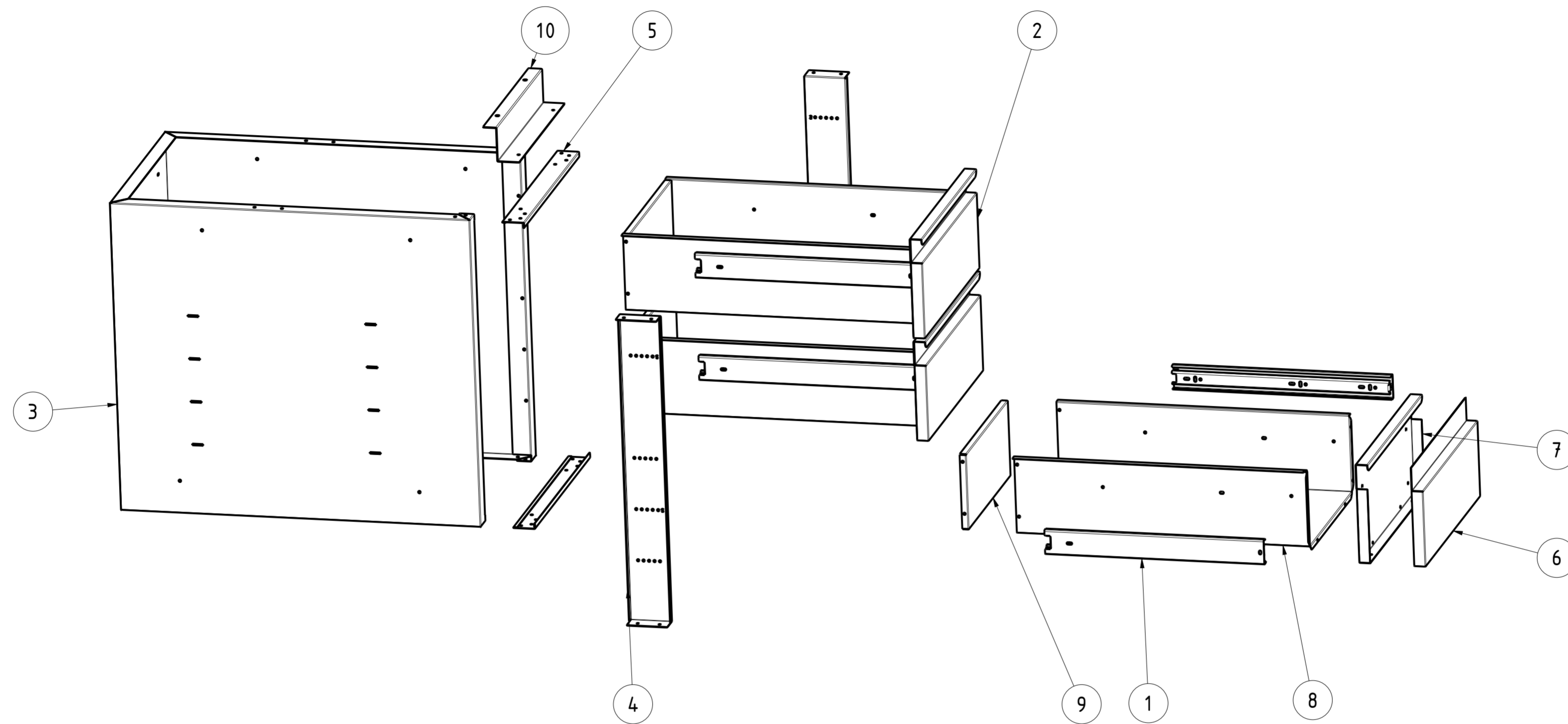
ELABORATO CON SISTEMA CAD  
DESIGNED BY CAD2TEAM

QUOTA PRIMARIA  
PRIMARY DIMENSION  
XX

ANGOLI  
Angles  
30°

TOLLERANZA UNLESS OTHERWISE STATED	ANGOLI
>500	±0.75
400-500	±0.65
315-400	±0.60
250-315	±0.55
180-250	±0.50
120-180	±0.45
80-120	±0.40
50-80	±0.35
30-50	±0.30
10-30	±0.25
5-10	±0.15
0-5	±0.10

LUNGH. E DIAM.  
LENGTH AND DIAM.  
FORM.A-2



10	NT3774	1	STAFFA STABILIZ. CASSETTIERA L40	DRAWER STABILIZER BRACKET L40
9	NT360	3	CHIUSURA VANO CASSETTO L40 H18.5	DRAWER CLOSING L40 H18.5
8	NT359	3	VANO CASSETTO L40 P60 H18.5	DRAWER COMPARTMENT L40 P60 H18.5
7	NT358	3	FRONTALE INTERNO CASSETTO L40 H18.5	INTERNAL DRAWER FRONT L40 H18.5
6	NT357	3	FRONTALE ESTERNO CASSETTO L40 H18.5	EXTERNAL DRAWER FRONT L40 H18.5
5	NT355	2	ANGOLARE CASSONE SUPERIORE L40	CORNER UPPER BOX CONNECTION L40
4	NT354	2	SUPPORTO VERTIC. GUIDE TELESCOPICHE	VERTICAL SUPPORT TELESCOPIC GUIDE
3	NT353	1	CASSONE CASSETTIERA L40 P70	EXTERNAL BOX DRAWERS L40 P70
2	DRAWER_DSTA_3C_40_58_18-5	3	ASS CASSETTO DSTA 3C L40 P60 H18.5	DRAWER ASSEMBLY DSTA 3C L40 P60 H18.5
1	ASS_GUIDA_CASSETTO	6	GUIDA PER CASSETTO	GUIDE FOR DRAWER
ITEM NO	PART NUMBER	QTY	DESCRIPTION	

DATA DATE	MODIF. N. MODIF. NO.	DESCRIZIONE MODIFICHE MODIFICATION DESCRIPTION	DISegnATO DRAWN BY	APPROVATO APPROVED
MODELLO MODEL	ASSIEME CASS. RA (DSTA) L40 P70 H57 (3 CASS) DRAWER ASS. (DSTA) L40 P70 H57 (3 DRAW.)		DISEGNO N. DRAWING NO. DSC3CH_40-68-57	SCALA SCALE -
PARTICOLARE DETAIL	ESPLOSO EXPLODED VIEW		DISEGNATO DRAWN BY M.PAPI	DATA DATE -
MATERIALE MATERIAL	AISI 304 - AISI 430	SPES. THICK. -	APPROVATO APPROVED	SHEET 5 OF 5
FINITURA FINISH		PEZZI N. PIECES NO.	SOSTITUISCE IL DIS. N. IT REPLACES DRAWING NO.	ULTIMA EMISS. LAST EDITION
TRATTAMENTO TREATMENT	COLORE COLOUR		SOSTITUITO DAL DIS. N. REPLACED BY DRAWING NO.	
		RISTOPRO SRL FRAZ. BORGO TUFICO, 47 FABRIANO (AN) ITALY +39.732.043494 WWW.RISTOPRO.COM		 mm

ELABORATO CON SISTEMA CAD  
DESIGNED BY CAD/STEM

QUOTA PRIMARIA  
PRIMARY DIMENSION  
XX

ANGOLI  
Angles  
30°

TOLLERANZA UNLESS OTHERWISE STATED	315-400	400-500	>500
±0.15	±0.20	±0.25	±0.30
±0.10	±0.15	±0.20	±0.25
±0.05	±0.10	±0.15	±0.20
±0.05	±0.05	±0.05	±0.05
±0.05	±0.05	±0.05	±0.05

QUOTE SENZA TOLLERANZA

LUNGH. E DIAM.  
LENGTH AND DIAM.  
mm