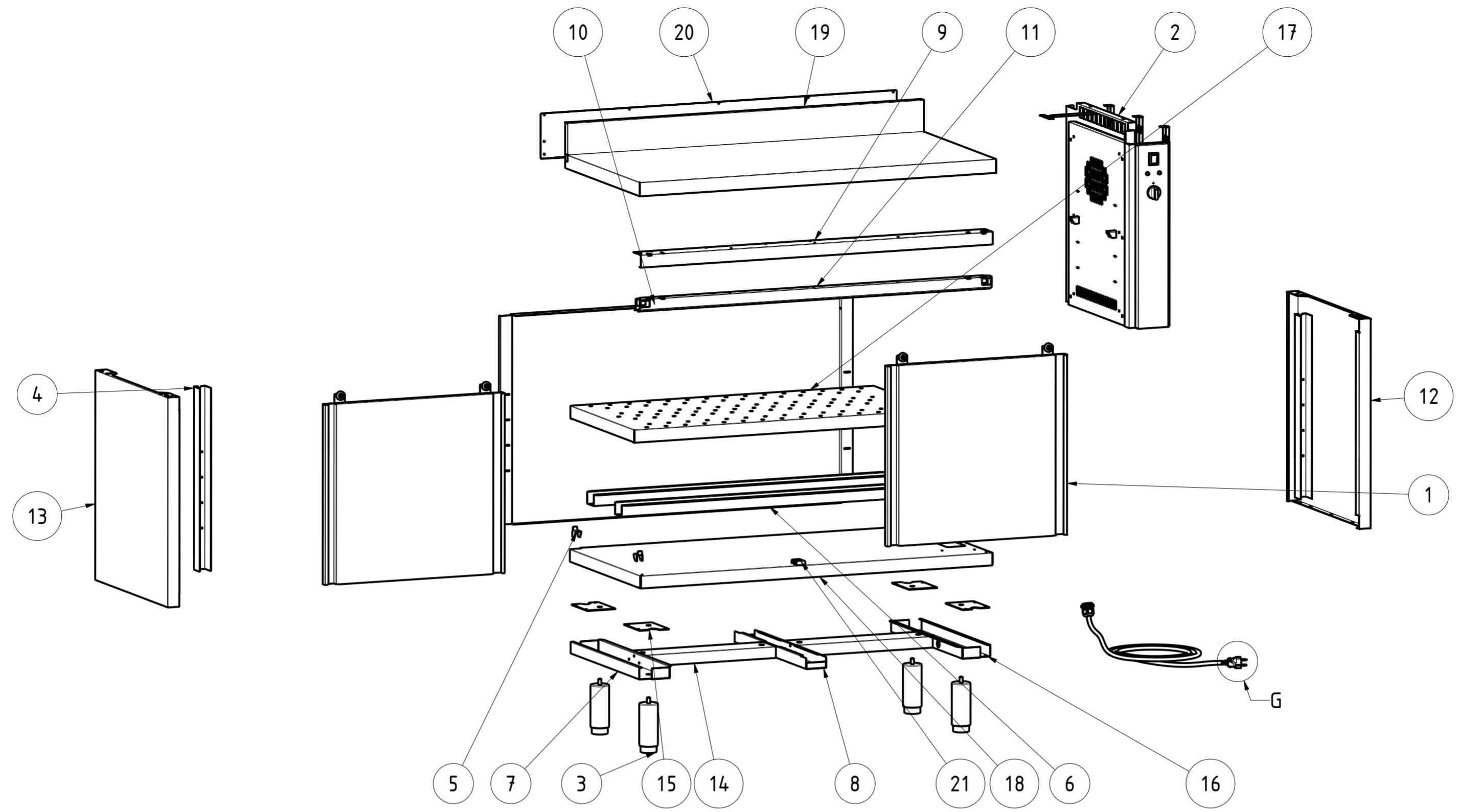


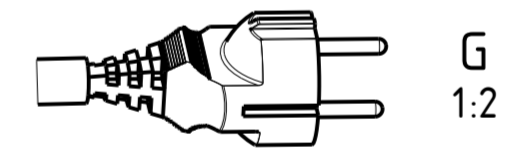
# EXPLOSIONSZEICHNUNG



KBS Gastrotechnik GmbH – Schoßbergstraße 26 – 65201 Wiesbaden



21	TACCHDSTA	2	TACCHETTO GUIDA PORTE	SLIDING DOOR GUIDE
20	NT4011Q	1	CHIUSURA ALZATINA TOP Q L120	UPSTAND BACK TOP Q L120
19	NT3949Q	1	TOP Q CON ALZATINA 120x60	TOP Q UPSTAND 120x60
18	NT4646	1	PIANO BASE CALDO 120x60	BASE SHELF 120x60
17	NT4578	1	PIANO INTERNO REGOLABILE TAC 120x60	INTERNAL ADJUSTABLE SHELF TAC 120x60
16	NT4277	1	OMEGA LATERALE PIANO BASE TAVOLO CALDO P60	LATERAL OMEGA BASE SHELF HOTTED P60
15	NT4144	4	PIASTRA RIV PIEDINO PORTA BATTENTE	PLATE EXTERNAL LEG HINGED DOOR
14	NT4058	2	OMEGA LONGITUDINALE (DIV.2) L120	LONGITUDINAL OMEGA L120
13	NT4042	1	PANNELLO LATERALE SX P60 H85	LEFT SIDE PANEL P60 H85
12	NT4041	1	PANNELLO LATERALE DX CALDO P60 H85	RIGHT SIDE PANEL P60 H85
11	NT3739	1	BINARIO TAVOLI ARMADIATI L120 PER ANTE L110	BINARY L120 DOOR L110
10	NT3630	1	SCHIENALE L120 H85	BACK L120 H85
9	NT3590	1	ANGOLARE SUPP. BINARIO L120	ANGULAR BINARY SUPPORT L120
8	NT2353	1	OMEGA CENTR RIV. PIANO BASE P60	CENTRAL OMEGA BASE SHELF P60
7	NT2351	1	OMEGA LATERALE PIANO BASE P60	LATERAL OMEGA BASE SHELF P60
6	NT1139	2	OMEGA RINFORZO PIANO INTERNO TAC TACP L120	OMEGA SHELF RENINFORCEMENT L120
5	NT330	2	STAFFA SUPPORTO RIPIANO INTERNO	GANCRIIP - INTERNAL SHELF SUPPORT BRACKET
4	NT101	2	MONTANTE ASOLATO PER LATERALI H85	SLOTTED UPRIGHT H85
3	DSPIEDTA	4	PIEDINO PER TAVOLI ARMADIATI	FOOT FOR CABINET TABLES
2	ASS_GRUPPO_CALDO_60_PSH	1	ASSIEME GRUPPO CALDO P60 SCHUKO	HOT GROUP ASSEMBLY P60 SCHUKO
1	APS_L120_H85	2	ASSIEME PORTE SCORREVOLI L120 H85	SLIDING DOORS ASSEMBLY L120 H85
ITEM NO	PART NUMBER	QTY	DESCRIPTION	



DATA DATE	MODIF. N. MODIF. NO.	DESCRIZIONE MODIFICHE MODIFICATION DESCRIPTION	DISegnato DRAWN BY	APPROVATO APPROVED
MODELLO MODEL	TAVOLO ARMADIATO CALDO 120x60 SCHUKO ALZATINA HOT TABLE CABINET 120x60 SCHUKO UPSTAND		DISEGNO N. DRAWING NO. DSTAC126APSH	SCALA SCALE -
PARTICOLARE DETAIL	ESPLOSO EXPLODED VIEW		DISEGNATO DRAWN BY M.PAPI	DATA DATE -
MATERIALE MATERIAL	AISI 304 - AISI 430	SPES. THICK. -	APPROVATO APPROVED	SHEET 3 OF 3
FINITURA FINISH		PEZZI N. PIECES NO.	SOSTITUISCE IL DIS. N. IT REPLACES DRAWING NO.	ULTIMA EMISS. LAST EDITION
TRATTAMENTO TREATMENT	COLORE COLOUR		SOSTITUITO DAL DIS. N. REPLACED BY DRAWING NO.	
		RISTOPRO SRL FRAZ. BORGO TUFICO, 47 FABRIANO (AN) ITALY +39.732.043494 WWW.RISTOPRO.COM		mm

ELABORATO CON SISTEMA CAD  
DESIGNED BY CADSTEM

QUOTA PRIMARIA  
PRIMARY DIMENSION  
XX

ANGOLI  
Angles  
30°

TOLLERANCE UNLESS OTHERWISE STATED

>500	±0.75
400-500	±0.65
315-400	±0.60
250-315	±0.55
180-250	±0.50
120-180	±0.45
80-120	±0.40
50-80	±0.35
30-50	±0.30
18-30	±0.25
10-18	±0.20
5-10	±0.15
0-5	±0.10

QUOTE SENZA TOLLERANZA

LUNGH. E DIAM.  
LENGTH AND DIAM.  
mm