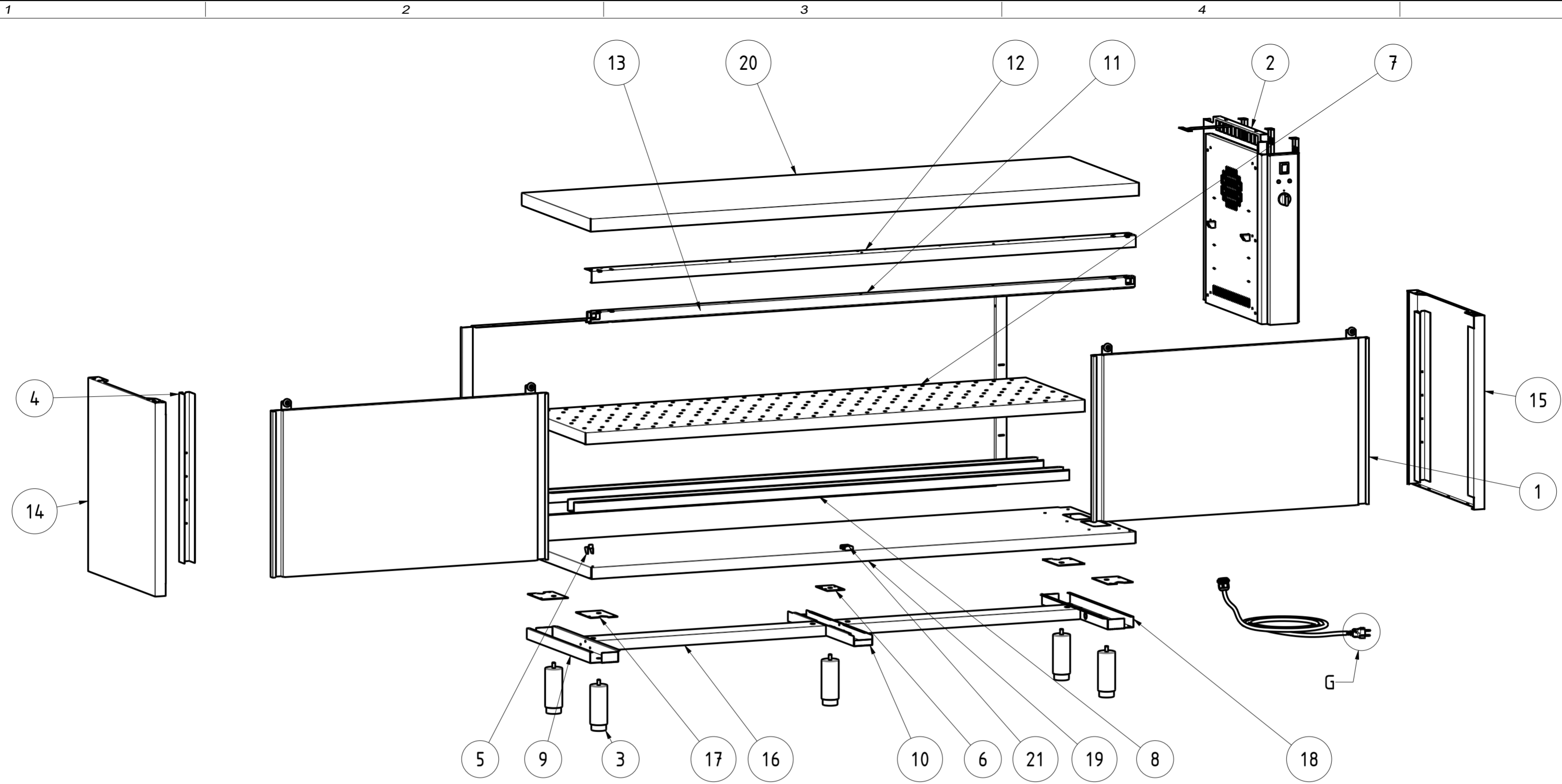


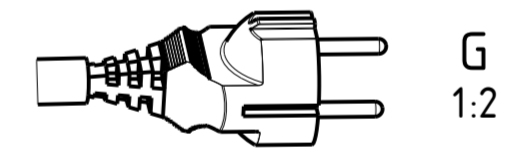
# EXPLOSIONSZEICHNUNG



KBS Gastrotechnik GmbH – Schoßbergstraße 26 – 65201 Wiesbaden



21	TACCHDSTA	2	TACCHETTO GUIDA PORTE	SLIDING DOOR GUIDE
20	NT3925Q	1	TOP Q 200x60	TOP Q 200x60
19	NT5632	1	PIANO BASE CALDO 200x60	BASE SHELF 200x60
18	NT4277	1	OMEGA LATERALE PIANO BASE TAVOLO CALDO P60	LATERAL OMEGA BASE SHELF HOTTED P60
17	NT4144	4	PIASTRA RIV PIEDINO PORTA BATTENTE	PLATE EXTERNAL LEG HINGED DOOR
16	NT4064	2	OMEGA LONGITUDINALE (DIV.2) L200	LONGITUDINAL OMEGA L200
15	NT4045	1	PANNELLO LATERALE DX P60 H85	RIGHT SIDE PANEL P60 H85
14	NT4042	1	PANNELLO LATERALE SX P60 H85	LEFT SIDE PANEL P60 H85
13	NT3638	1	SCHIENALE L200 H85	BACK L200 H85
12	NT3598	1	ANGOLARE SUPP. BINARIO L200	ANGULAR BINARY SUPPORT L200
11	NT3587	1	BINARIO TAVOLI ARMADIATI L200	BINARY L200
10	NT2353	1	OMEGA CENTR RIV. PIANO BASE P60	CENTRAL OMEGA BASE SHELF P60
9	NT2351	1	OMEGA LATERALE PIANO BASE P60	LATERAL OMEGA BASE SHELF P60
8	NT2070	2	OMEGA RINFORZO PIANO INTERNO TAC TACP L200	OMEGA SHELF RENIFORCEMENT L200
7	NT2069	1	PIANO INTERNO REGOLABILE TAC 200x60	INTERNAL ADJUSTABLE SHELF TAC 200x60
6	NT335	1	PIASTRA RINFORZO PER GAMBA CENTRALE	PLATE CENTRAL LEG
5	NT330	2	STAFFA SUPPORTO RIPIANO INTERNO	GANCRIIP - INTERNAL SHELF SUPPORT BRACKET
4	NT101	2	MONTANTE ASOLATO PER LATERALI H85	SLOTTED UPRIGHT H85
3	DSPIEDTA	5	PIEDINO PER TAVOLI ARMADIATI	FOOT FOR CABINET TABLES
2	ASS_GRUPPO_CALDO_60_PSH	1	ASSIEME GRUPPO CALDO P60 SCHUKO	HOT GROUP ASSEMBLY P60 SCHUKO
1	APS_L200_H85	2	ASSIEME PORTE SCORREVOLI L200 H85	SLIDING DOORS ASSEMBLY L200 H85
ITEM NO	PART NUMBER	QTY	DESCRIPTION	



DATA DATE	MODIF. N. MODIF. NO.	DESCRIZIONE MODIFICHE MODIFICATION DESCRIPTION	DISegnATO DRAWN BY	APPROVATO APPROVED
MODELLO MODEL	TAVOLO ARMADIATO CALDO 200x60 SCHUKO HOT TABLE CABINET 200x60 SCHUKO		DISEGNO N. DRAWING NO.	SCALA SCALE
PARTICOLARE DETAIL	ESPLOSO EXPLODED VIEW		DISEGNATO DRAWN BY	DATA DATE
MATERIALE MATERIAL	AISI 304 - AISI 430	SPES. THICK.	APPROVATO APPROVED	SHEET 3 OF 3
FINITURA FINISH		PEZZI N. PIECES NO.	SOSTITUISCE IL DIS. N. IT REPLACES DRAWING NO.	ULTIMA EMISS. LAST EDITION
TRATTAMENTO TREATMENT		COLORE COLOUR	SOSTITUITO DAL DIS. N. REPLACED BY DRAWING NO.	
		RISTOPRO SRL FRAZ. BORGO TUFICO, 47 FABRIANO (AN) ITALY +39.732.043494 WWW.RISTOPRO.COM		 mm

QUOTE SENZA TOLLERANZA TOLLERANCE UNLESS OTHERWISE STATED  
 QUOTA PRIMARIA ELABORATO CON SISTEMA CAD DESIGNED BY CADSYSTEM  
 QUOTA PRIMARIA PRIMARY DIMENSION  
 ANGOLI Angles 30° ±0.30°  
 >500 ±0.75  
 400-500 ±0.65  
 315-400 ±0.60  
 250-315 ±0.55  
 180-250 ±0.50  
 120-180 ±0.45  
 80-120 ±0.40  
 50-80 ±0.35  
 30-50 ±0.30  
 10-30 ±0.25  
 5-10 ±0.15  
 0-5 ±0.10  
 LUNGHEZZE E DIAM. LENGTH AND DIAM.