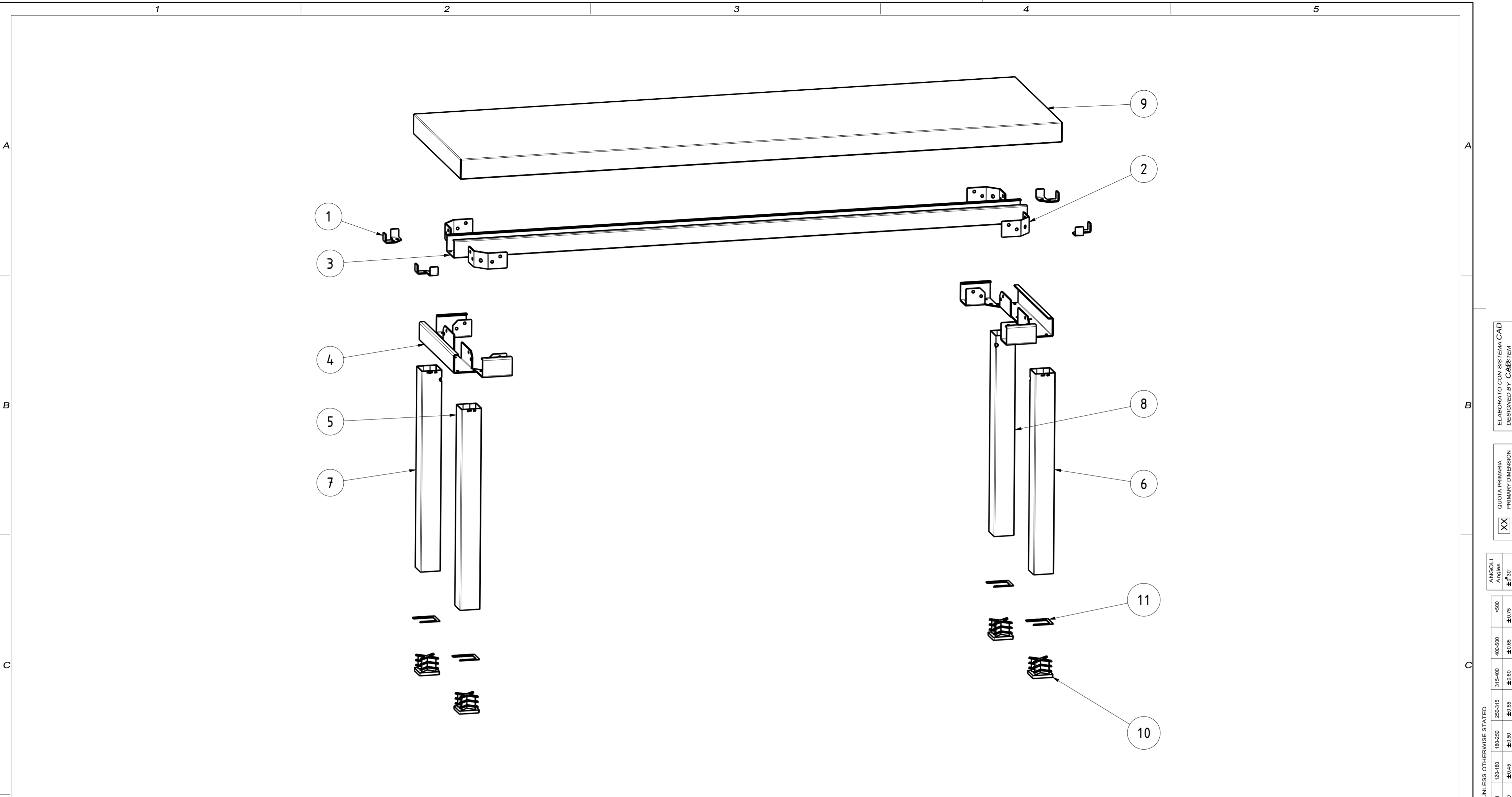


EXPLOSIONSZEICHNUNG



KBS Gastrotechnik GmbH – Schoßbergstraße 26 – 65201 Wiesbaden



11	RA11	4	STAFFA FISSAGGIO AL TAVOLO	FIXING BRACKET
10	QA40	4	COPRITESTA 40x40x6	PLASTIC HEAD COVER
9	NT3007	1	PIANO APPOGGIO TOP 120x35	SUPPORT SHELF 120x35
8	NT3005	1	GAMBA POST DX H40 1FORO TAV RIP SINGOLO	RIGHT REAR LEG SINGLE SUPPORT SHELF H40
7	NT3004	1	GAMBA POST SX H40 1FORO TAV RIP SINGOLO	LEFT REAR LEG SINGLE SUPPORT SHELF H40
6	NT3003	1	GAMBA ANT DX H40 1FORO TAV RIP SINGOLO	RIGHT FRONT LEG SINGLE SUPPORT SHELF H40
5	NT3002	1	GAMBA ANT SX H40 1FORO TAV RIP SINGOLO	LEFT FRONT LEG SINGLE SUPPORT SHELF H40
4	NT1758	2	SUPPORTO LATERALE PER FIX. GAMBE P35	LATERAL SUPPORT FIXING LEGS P35
3	NT819	1	OMEGA RINF. PIANO TOP L120	SHELF REINFORCEMENT L120
2	NT233	4	RINFORZO ANGOLO SUPP. LATER.	SIDE CORNER REINFORCEMENT
1	NT232	4	PIASTRINO SPESSORE RINF. ANGOLO CORN.	CORNER REINFORCEMENT
ITEM NO	PART NUMBER	QTY	DESCRIPTION	

DATA DATE	MODIF. N. MODIF. NO.	DESCRIZIONE MODIFICHE MODIFICATION DESCRIPTION	DISegnATO DRAWN BY	APPROVATO APPROVED
MODELLO RIPIANO DI APPOGGIO SINGOLO GAMBE QUADRE 120x35 h40		DISEGNO N. DSRAS12354		SCALA SCALE -
MODEL SINGLE TOP SQUARE LEGS 120x35 h40		DISEGNATO DRAWN BY M.PAPI		DATA DATE
PARTICOLARE DETAIL SCHEDA TECNICA DATA SHEET		APPROVATO APPROVED		SHEET 3 OF 3
MATERIALE MATERIAL AISI 304 - AISI 430	SPESS. THICK.	SOSTITUISCE IL DIS. N. IT REPLACES DRAWING NO.		ULTIMA EMISS. LAST EDITION
FINITURA FINISH	PEZZI N. PIECES NO.	SOSTITUITO DAL DIS. N. REPLACED BY DRAWING NO.		
TRATTAMENTO TREATMENT	COLORE COLOUR			
RISTOPRO PROFESSIONAL CATERING EQUIPMENT		RISTOPRO SRL FRAZ. BORGO TUFICO, 47 FABRIANO (AN) ITALY +39.732.043494 WWW.RISTOPRO.COM		 mm

TOLLERANZA UNLESS OTHERWISE STATED
 QUOTE SENZA TOLLERANZA
 TOLERANCE UNLESS OTHERWISE STATED
 QUOTA PRIMARIA
 DESIGNED BY CAD/STEM
 PRIMARY DIMENSION
 XX
 ANGOLI
 Angles
 30°
 $\pm 0.30^{\circ}$
 >500
 ± 0.75
 400-500
 ± 0.65
 315-400
 ± 0.60
 250-315
 ± 0.55
 180-250
 ± 0.50
 120-180
 ± 0.45
 80-120
 ± 0.40
 50-80
 ± 0.35
 30-50
 ± 0.30
 10-30
 ± 0.25
 5-10
 ± 0.15
 0-5
 ± 0.10
 LUNGH. E DIAM.
 LENGTH AND DIAM.
 FORM.A-2