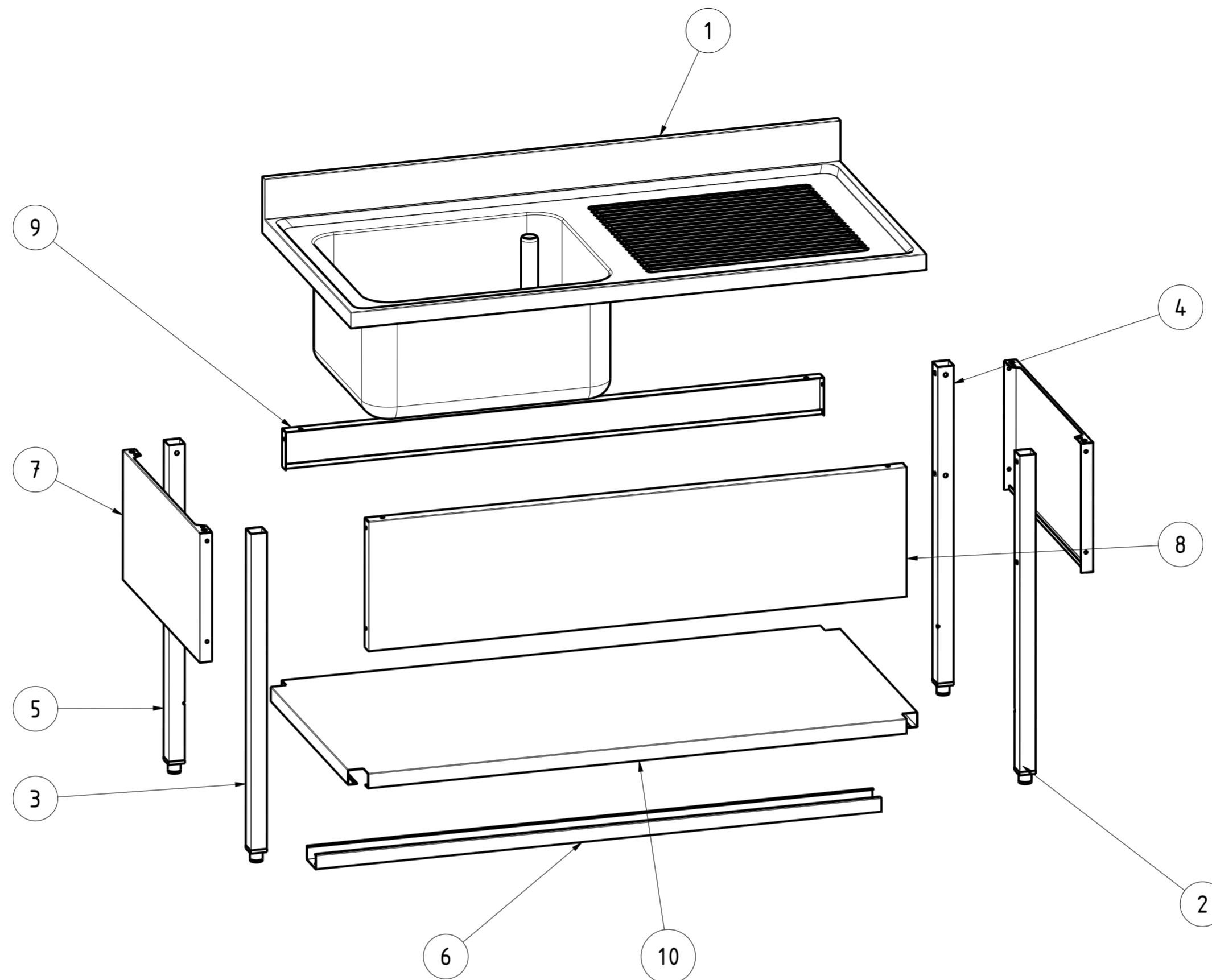


EXPLOSIONSZEICHNUNG



KBS Gastrotechnik GmbH – Schoßbergstraße 26 – 65201 Wiesbaden



ITEM NO	PART NUMBER	QTY	DESCRIPTION	
10	NT10622	1	PIANO DI FONDO SALDATO 140x70	BASE WELDED SHELF 140x70
9	NT409	1	PANNELLO CHIUSURA POSTER. L140	REAR CLOSURE PANEL L140
8	NT400	1	PANNELLO CHIUSURA ANTER. L140	FRONT PANEL SINK ON LEGS L140
7	NT395	2	PANNELLO CHIUSURA LATER. P70	LATERAL PANEL SINK ON SQUARE LEGS P70
6	NT272	1	OMEGA PIANO FONDO L140	REINFORCEMENT L140
5	ASS_LEG_ACQ_SINK_PS_1R	1	ASS LEG SINK BACK LEFT	ASS LEG SINK BACK LEFT
4	ASS_LEG_ACQ_SINK_PD_1R	1	ASS LEG SINK BACK RIGHT	ASS LEG SINK BACK RIGHT
3	ASS_LEG_ACQ_SINK_AS_1R	1	ASS LEG SINK FRONT LEFT	ASS LEG SINK FRONT LEFT
2	ASS_LEG_ACQ_SINK_AD_1R	1	ASS LEG SINK FRONT RIGHT	ASS LEG SINK FRONT RIGHT
1	ASS_LAV_1VGD147	1	ASS LAVELLO 140x70 1 VASCA 60x50 GOCC DX	SINK ASSEMBLY 140x70 1 BASIN 60x50 RIGHT DRAWER

DATA DATE	MODIF. N. MODIF. NO.	DESCRIZIONE MODIFICHE MODIFICATION DESCRIPTION	DISegnATO DRAWN BY	APPROVATO APPROVED
MODELLO MODEL		LAVATOIO 1 VASCA GOCC DX 140x70 SALDATO SINK 1 BASIN RIGHT DRAINER 140x70 WELDED	DISegno N. DRAWING NO. DSNLG1VGD147T	SCALA SCALE -
PARTICOLARE DETAIL		ESPLOSO EXPLODED VIEW	DISegnATO DRAWN BY M.PAPI	DATA DATE -
MATERIALE MATERIAL		SPESS. THICK.	APPROVATO APPROVED	SHEET 3 OF 3
FINITURA FINISH		PEZZI N. PIECES NO.	SOSTITUISCE IL DIS. N. IT REPLACES DRAWING NO.	ULTIMA EMISS. LAST EDITION
TRATTAMENTO TREATMENT		COLORE COLOUR	SOSTITUITO DAL DIS. N. REPLACED BY DRAWING NO.	

RISTOPRO
 PROFESSIONAL CATERING EQUIPMENT

RISTOPRO SRL
 FRAZ. BORGO TUFICO, 47 FABRIANO (AN)
 ITALY +39.732.043494
 WWW.RISTOPRO.COM

mm

FORM.A-2

ELABORATO CON SISTEMA CAD
 DESIGNED BY CADSTEM
 QUOTA PRIMARIA
 PRIMARY DIMENSION
 XX
 ANGOLI
 Angles
 >500 ±0.75
 400-500 ±0.65
 315-400 ±0.60
 250-315 ±0.55
 180-250 ±0.50
 120-180 ±0.45
 80-120 ±0.40
 50-80 ±0.35
 30-50 ±0.30
 10-30 ±0.25
 5-10 ±0.15
 0-5 ±0.10
 TOLLERANZA UNLESS OTHERWISE STATED
 QUOTE SENZA TOLLERANZA
 LUNGH. E DIAM.
 LENGTH AND DIAM.